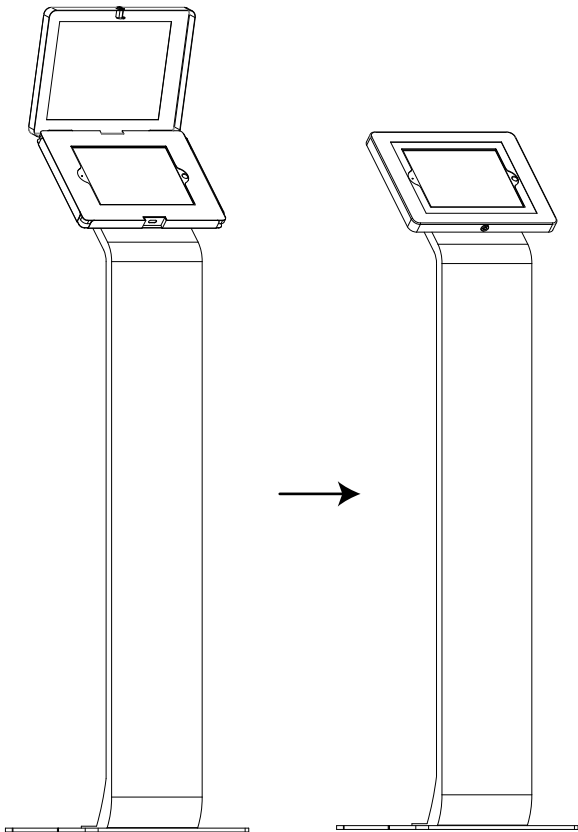
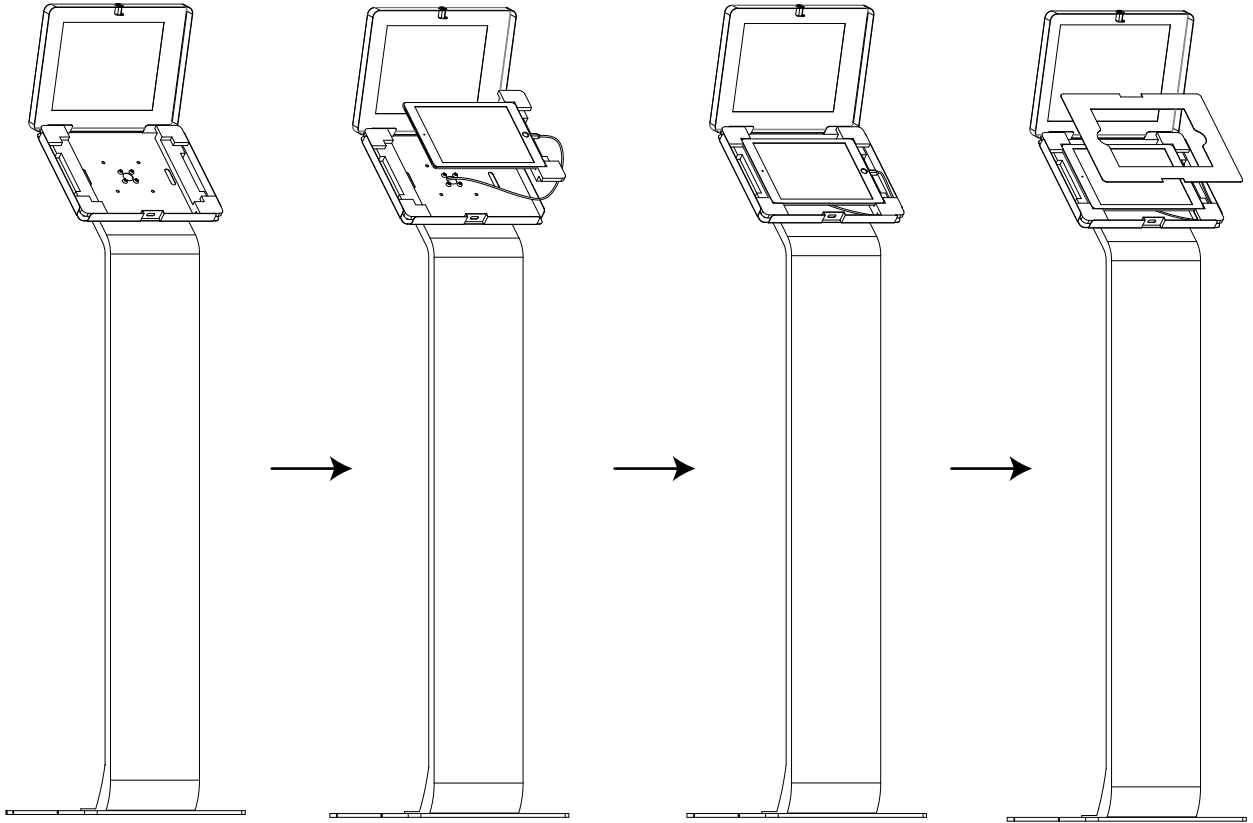
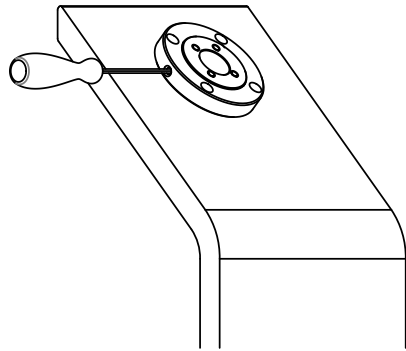


4



Locking point



Clockwise to lock
(Enclosure not rotary)

