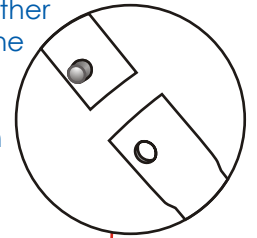
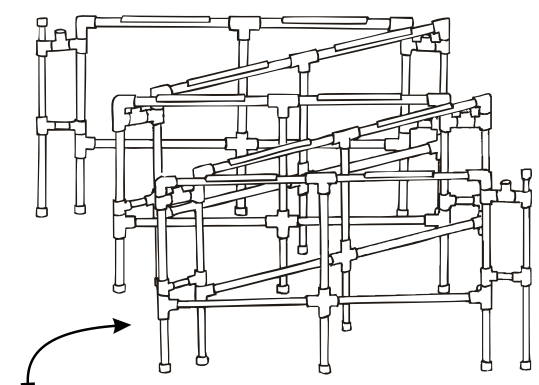
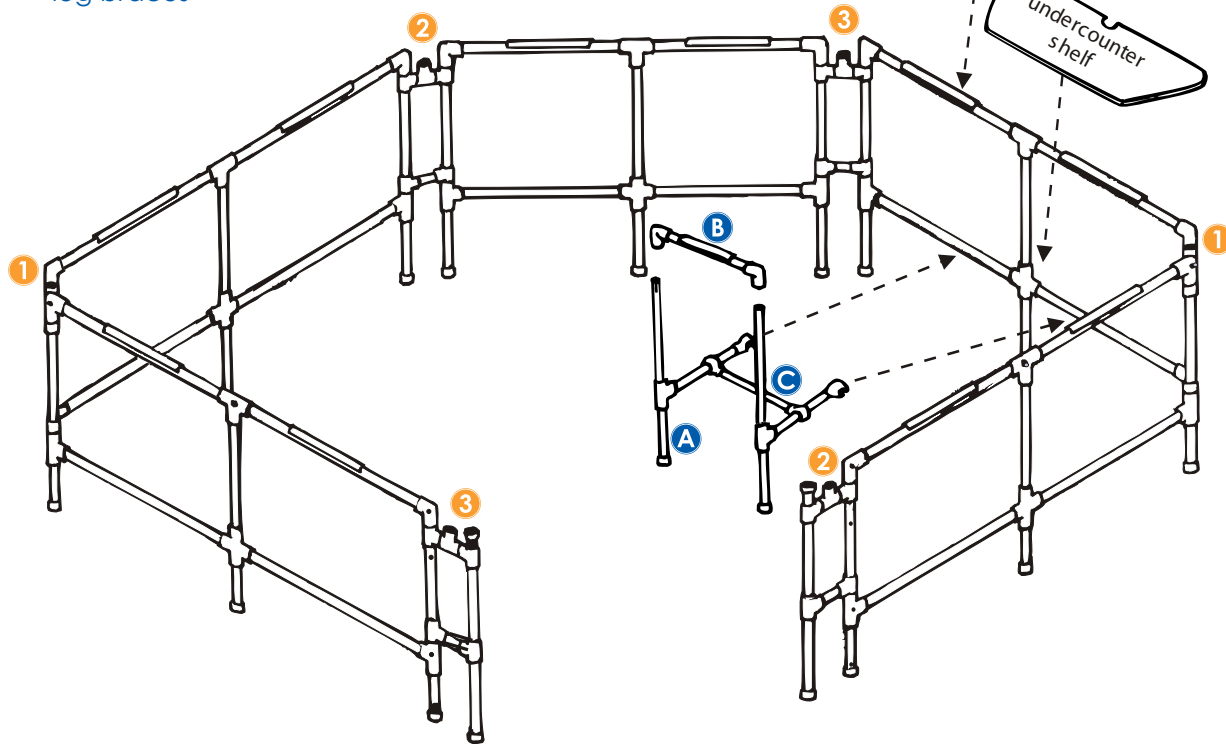
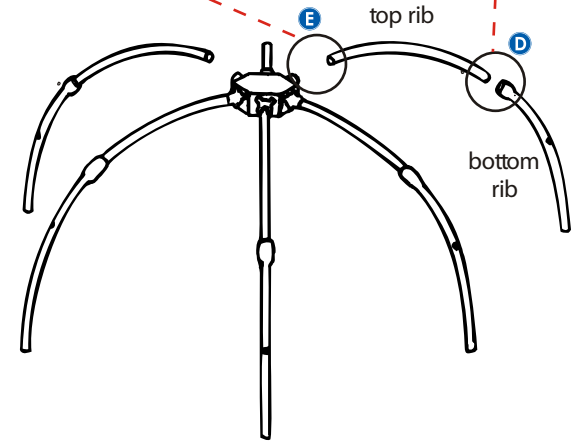


Rib and Crown Setup:

Slip top and bottom ribs together (D), then insert the ribs into the crown (E). Make sure the button comes through the hole in the bottom rib and on the crown.



- 1) Unfold bottom frame into hexagon with snaps facing out
- 2) Make a "Spider" by inserting all six assembled ribs into the crown (see diagram at right).
- 3) Lift the "Spider", insert rib pairs 1, 2, and 3 into frame sockets.
- 4) Throw the top canopy over the assembled "Spider" and snap it to the ribs.
- 5) Snap the skirt on, starting at one end.
- 6) Clip counter legs (A) to hexagon frame. Attach upper and lower counter support cross braces (B & C).
- 7) Align counters with Velcro and press down firmly.
- 8) Place optional undercounter shelves on bottom counter leg braces



For transport or storage, fold the frame and secure it with bungee cords or string. Disassembly of the bottom frame is unnecessary.