

FALCON BANNER STAND 7ft DOUBLE SIDED



Product Features

Falcon Flag 7ft is economy version of Feather Banner and designed for outdoor display. A heavy steel base provides support when displaying outdoor.

Display Dimension	20.5"W x 63.25"H
Graphic Size	20.5"W x 63.25"H

Graphic Material

Mesh Fabric

Graphic Finishing

Hemmed all around and pole pocket on the stand side

Construction

Pole: Carbon folding pole

Base: Spike Base or X Base

Weights - Dimensions

Shipping Weight	5 lbs (with Spike Base)
	10 lbs (with X Base)
Shipping Dimensions	4" x 4" x 48"

Package Includes

Pole (Top pole: 45.5"; Bottom Pole: 46")

Spike Base

Nylon Carry Bag

Warranty

1 Year on Graphic

Lifetime on Stand



Carry Bag (included)



Spike Base

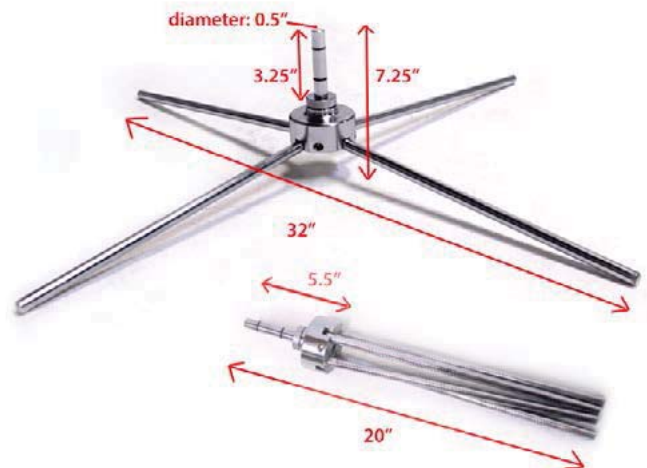


* Water Bag is also available for X Base

Graphic Specification

20.5"W x 63.25"H

Graphic Turnaround Time is 2 business days for up to 2 sets



X Base



Product Features

The Mondo Flag Pole is a new design of the giant pole. The Mondo flag pole is ideal for outdoor events, conference, sport events, etc. The telescopic aluminum flag pole fits into a plastic base that can be filled with water for stability. The flag is held with rings. Mondo flag poles are easy to handle and install.

Display Dimension	35"W x 13'H
Graphic Size	30"W x 118"H

Graphic Material

Fabric Mesh

Graphic Finishing

Sew 1' double stitch left and top sides Grommets four on top and five on sides

Construction

Aluminum poles with plastic end caps

9 plastic ring clips

5 plastic clips on top of extension arm

4 aluminum support legs with plastic clips

Weights - Dimensions

Shipping Weight	28 lbs (ship in 2 cases)
Shipping Dimensions	26" x 26 1/4" x 10 1/2"

Package Includes

(1) retractable pole

(1) cross bar

(3) support legs

(1) water base

(9) grommet connectors

Warranty

1 Year on Graphic

Lifetime on Stand



Graphic Specification

30"W x 118"H

Graphic Turnaround Time is 2 business days for up to 2 sets



SPRING SNAP FRAME



Product Features

Easy open snap frame with stable feet

Overall Dimension	32"W x 46.5"H x 20"D
Frame	25.5"W x 35"H x 1.5"D
Insert Graphic Size	23 3/8"W x 33 1/8 H
Viewing Area	22 7/8" W x 32 5/8" H

Graphic Finishing

Insert graphic sheet, and close the snaps.

Construction

Aluminum snap frame w/ feet

Weights - Dimensions

Shipping Weight	33 lbs
Shipping Dimensions	26" x 41" x 9"

Package Includes

- Aluminum snap frame
- Springs
- Large Washers
- Small washers
- Screws

Warranty

One year

Graphic Specification

Graphic Size: 23 3/8"W x 33 1/8 H

Graphic turnaround time:
Two business days after proof of approval.



Snap frame (side view)

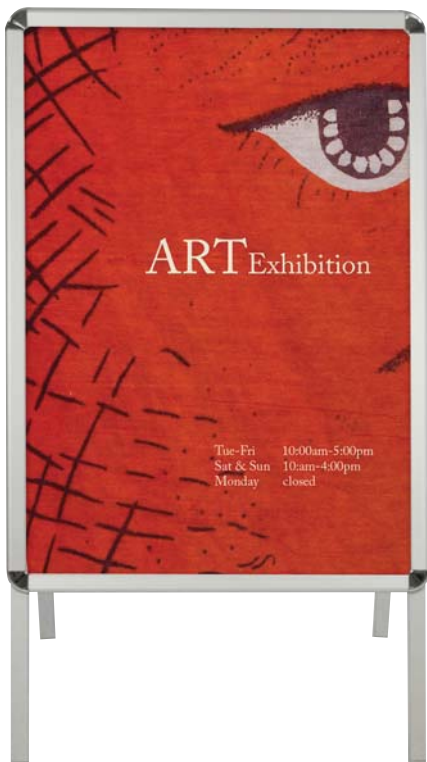


Snap frame (front view)



Feet attachment

ALUMINUM SNAP FRAME



Product Features

The Aluminum Snap Frame is ideal for both indoor and outdoor use. It's easy-to-load snap frames come complete with glare reducing overlays to cover 2" x 3" signs.

- Easy to load aluminum snap frame.
- Good for indoors and outdoors.
- Comes with two plastic overlays.

Display Dimensions

Display Height	46"
Display Width	22.875"
Display Depth	32.5"

Construction

Aluminum snap frame

Graphic Options:

Graphic Size	23.25" W x 33" H
Display Size	25.5" W x 46.5" H

Package Includes

- Aluminum Snap Frame
- Plastic Overlays

Warranty

One year

Weights - Dimensions

Shipping Weight	28 lbs
Shipping Dimensions	48" x 27" x 5"

Graphic turnaround time:
Two Business days after proof of approval





Product Features

Sturdy and lightweight aluminum frame for outdoor display
Banners easily mount to both sides of the frame with bungee cords

Display Dimension	81.5"W x 37" H x 42"D
-------------------	-----------------------

Graphic Size	78.75"W x 38.5"H
--------------	------------------

Graphic Material

Scrim Vinyl

Graphic Finishing

Grommet

Construction

Aluminum Frame

Weights - Dimensions

Shipping Weight	14 lbs (frame only)
-----------------	---------------------

Shipping Dimensions	44" x 9" x 6"
---------------------	---------------

Package Includes

- Aluminum Frame
- Bungee cords

Warranty

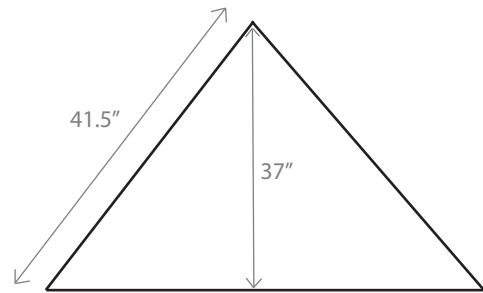
Frame: 1 year

Graphic: 1 year

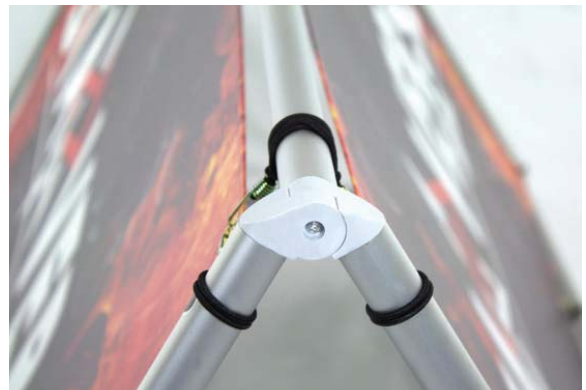
Graphic Specification

Graphic Size: 78.75"W x 38.5"H

Graphic turnaround time: 2 business days after proof of approval.



Side View





OBW Base

Base Size:
9.75" x 30.5"
Water Capacity:
50 lbs each



Product Features

The Outdoor Banner Wall is your solution for large outdoor banner display. Water filled bases provide support and stability when displaying your graphics outdoors. With adjustable height and double sided display capabilities, The Outdoor Banner Wall is a versatile stand that can be used for countless events.

Display Dimension	96" W x 108" H x 30.5" D
Graphic Size	96" W x 96" H

Graphic Material

UV Tent Material

Graphic Finishing

2.5" pole pockets are sewn to the top and bottom. Slits are cut into the back of the pockets to connect the springs to dowel.

Construction

Plastic water base	Aluminum poles and frame
Nylon travel bags	

Weights - Dimensions

Shipping Weight	Box 1: 19 lbs
	Box 2: 17 lbs
Shipping Dimensions	Box 1: 12" x 19" x 33"
	Box 2: 7" x 7" x 67"

Package Includes

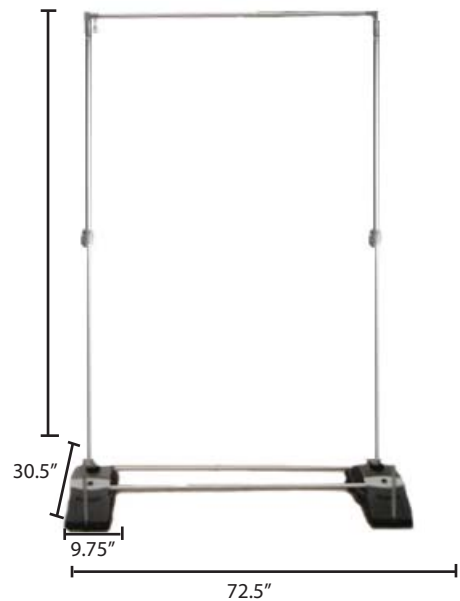
(1) Telescopic poles	(4) Graphic hooks
(1) Top Pole	(2) Plastic Water Bases
(2) 98.75" long dowels	(2) Base connection poles
(4) 14" Springs w/hooks	(2) Nylon travel bag

Warranty

1 Year on Stand	1 Year on Graphic
-----------------	-------------------

Graphic Turnaround Time is 3 business days for up to 2 sets

56" to 106"



ZEPHYR SINGLE-SIDED



Product Features

The Zephyr Outdoor Banner Stand supports 2' x 5' to 3' x 6' banners with grommets. The base can be filled with water to add extra weight for outdoor display. A double sided option is available for back to back banner display.

Graphic Width	24" to 36"
---------------	------------

Graphic Height	60" to 72"
----------------	------------

Graphic Material

13oz Scrim Vinyl

Graphic Finishing

Hem 1" top and bottom
#2 Grommets in 4 corners

Construction

Plastic base
Aluminum pole w/ plastic components
Carbon fiber poles w/ plastic hooks

Weights - Dimensions

Shipping Weight	10 lbs (Stand only)
-----------------	---------------------

Shipping Dimensions	31" x 15" x 9.5"
---------------------	------------------

Package Includes

- Water base
- Top arms
- Pole
- Bottom pole w/hooks

Warranty

1 Year

Graphic Specification

Graphic Size: Width from 24" to 36" by Height from 60" to 72"



Zephyr Base:
Base Size: 14" W x 7" H x 17" D
Water Capacity: 40 lbs

ZEPHYR DOUBLE-SIDED



Product Features

The Zephyr Outdoor Banner Stand supports 2' x 5' banners with grommets. The base can be filled with water to add extra weight for outdoor display. A double sided option is available for back to back banner display.

Graphic Size	24"W x 60" (each banner)
--------------	--------------------------

Graphic Material

Scrim Vinyl

Graphic Finishing

1" hem on top and bottom
#2 Grommets in 4 corners

Construction

Plastic base
Aluminum telescopic pole
Aluminum bottom pole w/plastic hooks and clamp
Carbon fiber top arms w/plastic hooks

Weights - Dimensions

Shipping Weight	11 lbs
-----------------	--------

Shipping Dimensions	31" x 15" x 9.5"
---------------------	------------------

Package Includes

- Water base
- Short top poles
- Long top Poles
- Bottom poles
- 2 piece center pole w/ mounting brackets

Warranty

1 Year

Graphic Specification

Graphic Size: Width 24" by Height 60"



Zephyr Base:
Base Size: 14" W x 7" H x 17" D
Water Capacity: 40 lbs

SKYCAP UMBRELLA (SQUARE)

OUTDOOR BANNER STANDS

PRODUCT CODE: SUSQR



On frame On graphic



Finial



Runner



Iron Square Base
(optional)

PRODUCT DESCRIPTION

The Skycap Umbrella Square frame is constructed of a steel pole with aluminum and plastic components. On top is a plastic finial hub and on the bottom is a plastic runner, which slides up to a latch to lock into place. The Skycap easily stands free with the use of a universal umbrella table. No umbrella table? Add an optional iron square base accessory to make your umbrella free-standing. Skycap umbrellas serve as an excellent way to provide shade for outdoor events. The graphic is printed on special water resistant material and dries immediately during the UV-cured printing process. Finished prints appear shiny, vivid, and have added protection against natural elements.

DISPLAY DIMENSIONS	110.5" Dia. x 86"H
GRAPHIC SIZE	80"W x 40"H (each side)

GRAPHIC MATERIAL

UV Tent

GRAPHIC FINISHING

Hemmed around sides and bottom edges

DISPLAY CONSTRUCTION

Steel pole with aluminum and plastic components.

SHIPPING WEIGHTS & DIMENSIONS

Shipping Weight	9 lbs (hardware only) 11 lbs (with graphic)
Shipping Dimensions	7"L x 7"W x 62"H

LARGE QUANTITY FREIGHT

Freight Shipping	20 boxes per 48"L x 40"W x 40"H skid
Freight Weight	216 lbs (frame only) 258 lbs (frame and graphic)

GRAPHIC TURN AROUND TIME

4 business days after proof approval

AVAILABLE ACCESSORIES

Iron square base	
AVAILABILITY	CA
WIND RATING	20 mph

SKYCAP UMBRELLA (HEXAGON)

OUTDOOR BANNER STANDS

PRODUCT CODE: SUHEX



On frame On graphic



Finial



Runner



Iron Square Base
(optional)

PRODUCT DESCRIPTION

The Skycap Umbrella Hexagon frame is constructed of a steel pole with aluminum and plastic components. On top is a plastic finial hub and on the bottom is a plastic runner, which slides up to a latch to lock into place. The Skycap easily stands free with the use of a universal umbrella table. No umbrella table? Add an optional iron square base accessory to make your umbrella free-standing. Skycap umbrellas serve as an excellent way to provide shade for outdoor events. The graphic is printed on special water resistant material and dries immediately during the UV-cured printing process. Finished prints appear shiny, vivid, and have added protection against natural elements.

DISPLAY DIMENSIONS 96" Dia. x 86"H

GRAPHIC SIZE 48"W x 45.5"H (each side)

GRAPHIC MATERIAL

UV Tent

GRAPHIC FINISHING

Hemmed around sides and bottom edges

DISPLAY CONSTRUCTION

Steel pole with aluminum and plastic components.

SHIPPING WEIGHTS & DIMENSIONS

Shipping Weight 11 lbs (hardware only)
13 lbs (with graphic)

Shipping Dimensions 9"L x 9"W x 62"H

LARGE FREIGHT QUANTITY

Freight Shipping 20 boxes per 48"L x 40"W x 50"H skid

Freight weight 258 lbs (frame only)
296 lbs (frame and graphic)

GRAPHIC TURN AROUND TIME

4 business days after proof approval

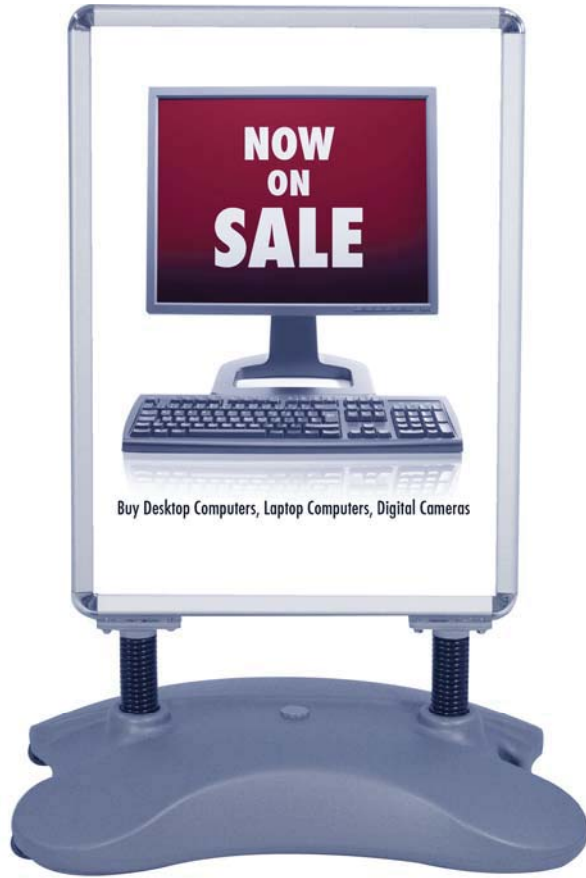
AVAILABLE ACCESSORIES

Iron square base

AVAILABILITY CA

WIND RATING 20 mph

WATER BASE SNAP FRAME



Product Features

The double sided snap frame holds materials up to 23.25" x 33" and includes glare reducing overlays.

Built-in wheels make moving the display easy.

Easy open snap frame with waterbase

Overall Dimension	32"W x 46.5" H x 20"D
Base	32"W x 5.5"H x 20"D
Frame	25"W x 34.5"H x 1.5"D
Graphic Size	23.5"W x 33"H
Viewable Area	22.875"W x 32.5"H

Construction

Aluminum snap frame w/plastic water fillable base

Weights - Dimensions

Shipping Weight	38 lbs
Shipping Dimensions	9"x 26"x 44"
Weight of stand with water	85 lbs

Package Includes

- Aluminum snap frame
- Water fillable base
- Large Washers
- Small washers
- Screws

Warranty

One year

Graphic turnaround time:
Two Business Days after proof of approval



Handle



Wheels