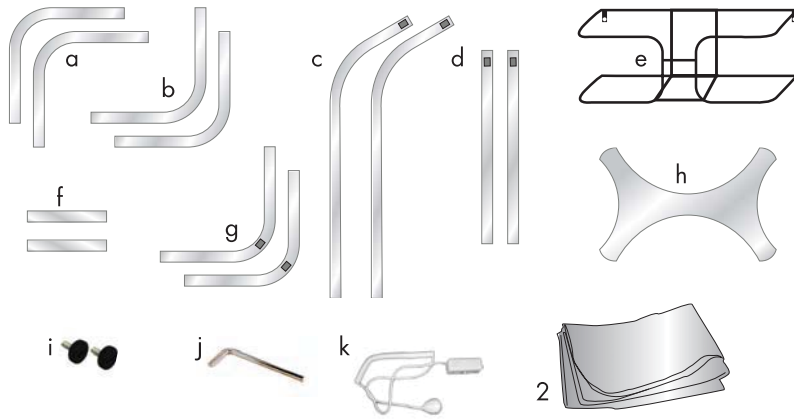


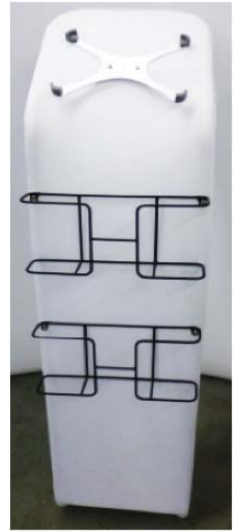
## Product Parts

### 1 - Hardware

- a - Top Curved Poles (x2)
- b - Bottom Back Curved Poles (x2)
- c - Curved Side Poles (x2)
- d - Straight Side Poles (x2)
- e - Literature Rack (x2)
- f - Horizontal Poles (x3)
- g - Bottom Front Curved Poles (x2)
- h - Tablet Bracket
- i - Tablet Knobs (x2)
- j - Hex Wrench
- k - Security cable



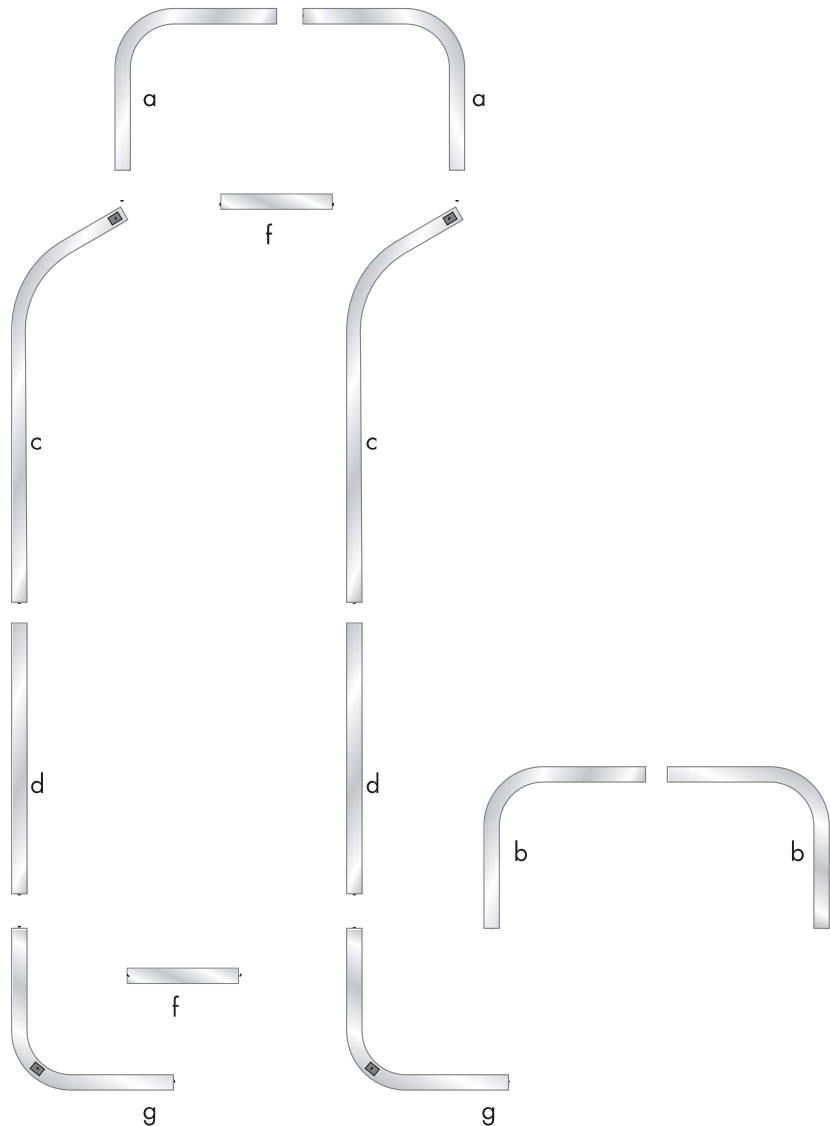
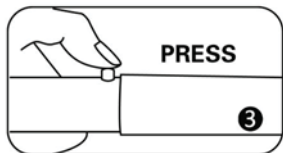
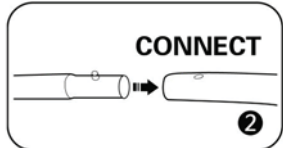
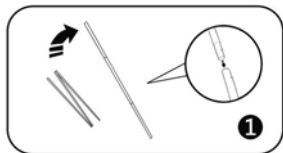
### 2 - Graphic



## Hardware Assembly

### Step 1

Open all parts to the hardware and assemble the parts using the diagram illustrated to the right.



## Graphic Setup

### Step 1

Set the assembled hardware on a clean surface. Locate the bottom of the graphic (zippered end) and slide it over the top of the hardware and continue to slide down over hardware.

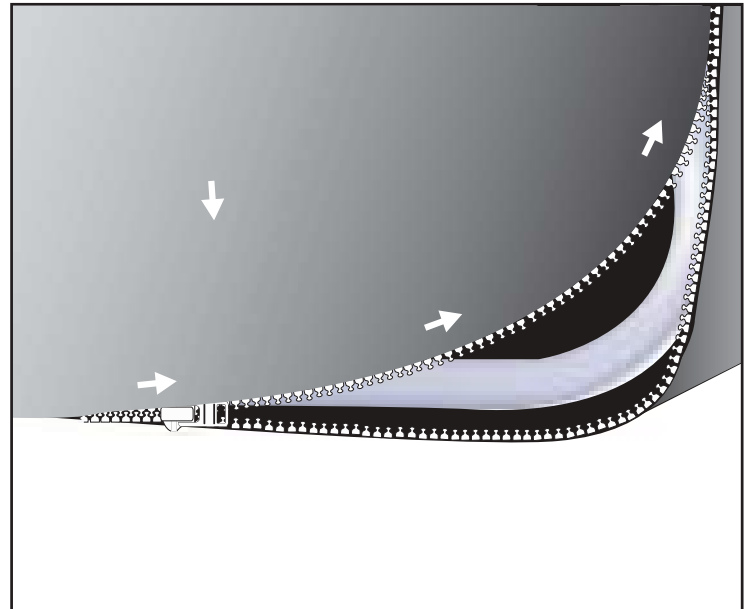


### NOTE:

The graphic is designed to fit the hardware precisely, as a result the graphic may appear to be too tight during the installation process (this is normal).

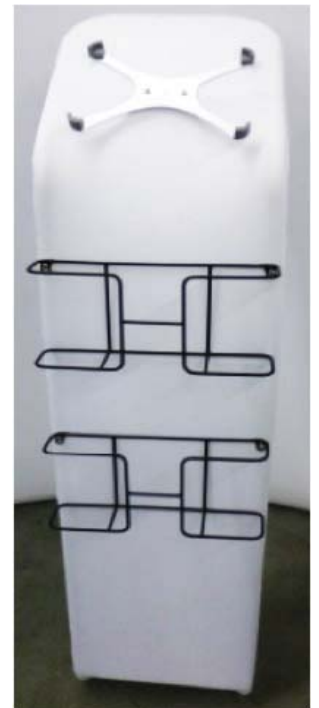
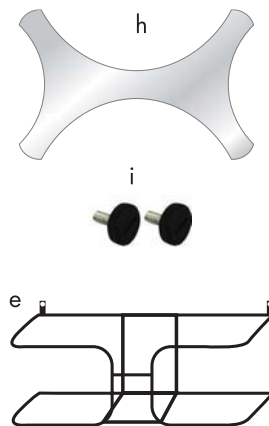
### Step 2

Zip the Graphic Closed on the bottom.



### Step 3

Attach the Literature Racks (e) to the attached screws on the verticle poles. Attach the Tablet Bracket (h) using the Screws (i) provided.



## Storage

Store in a cool dry location.

## Care

Machine wash cold, gentle cycle. Air Dry Only

Warranty Information: All products are designed to provide the user with a cost-effective and durable product. Standard warranty is a 'one year parts and labor' warranty which warrants product against defects in material and workmanship. It does not cover damage due to accidents, abuse, or normal wear and tear. Products found to be defective will be replaced or repaired at factory's discretion.