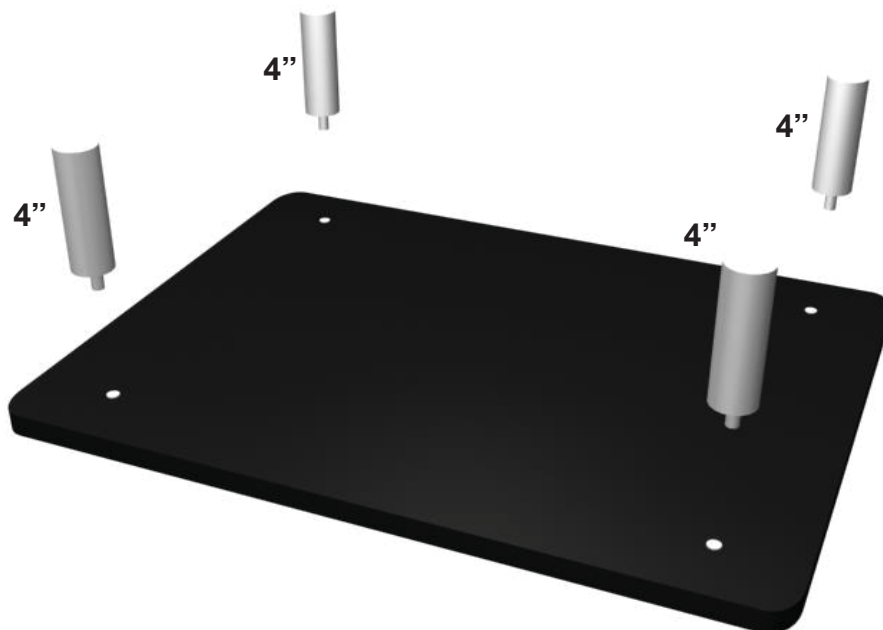


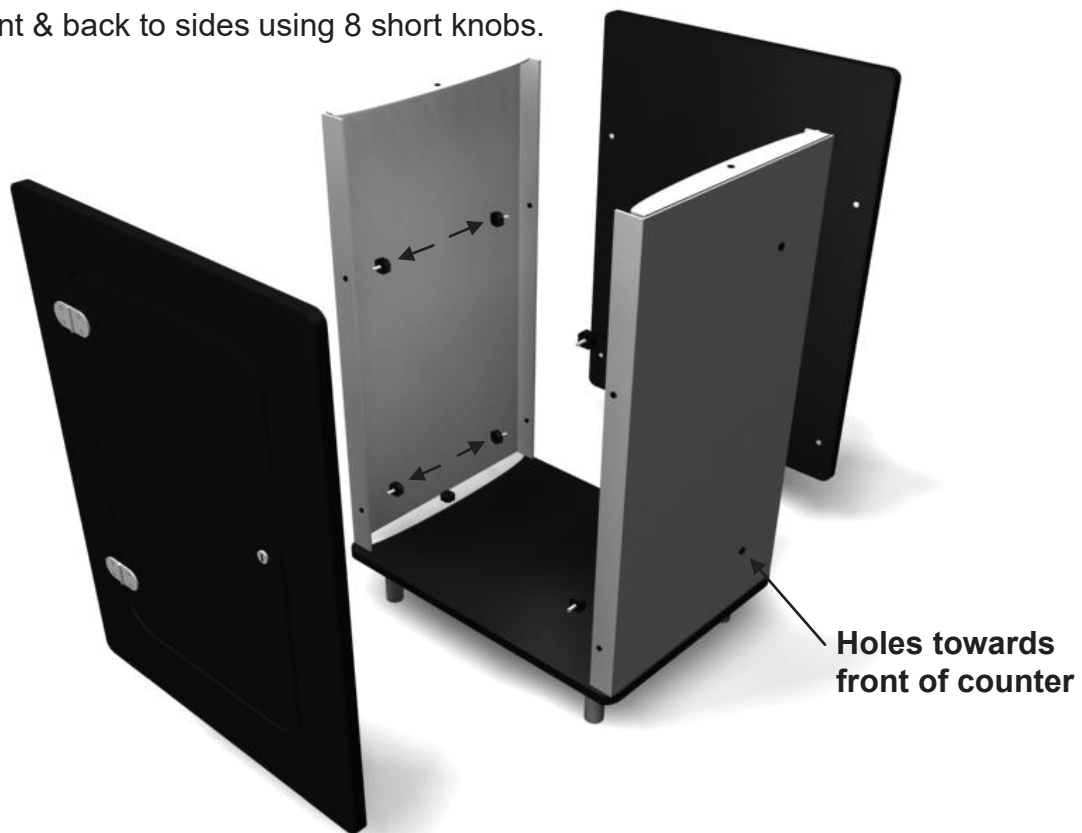
**Step 1:** Screw in 4" standoffs to bottom of base.



**Step 2:** Attach sides to base using 2 short knobs.



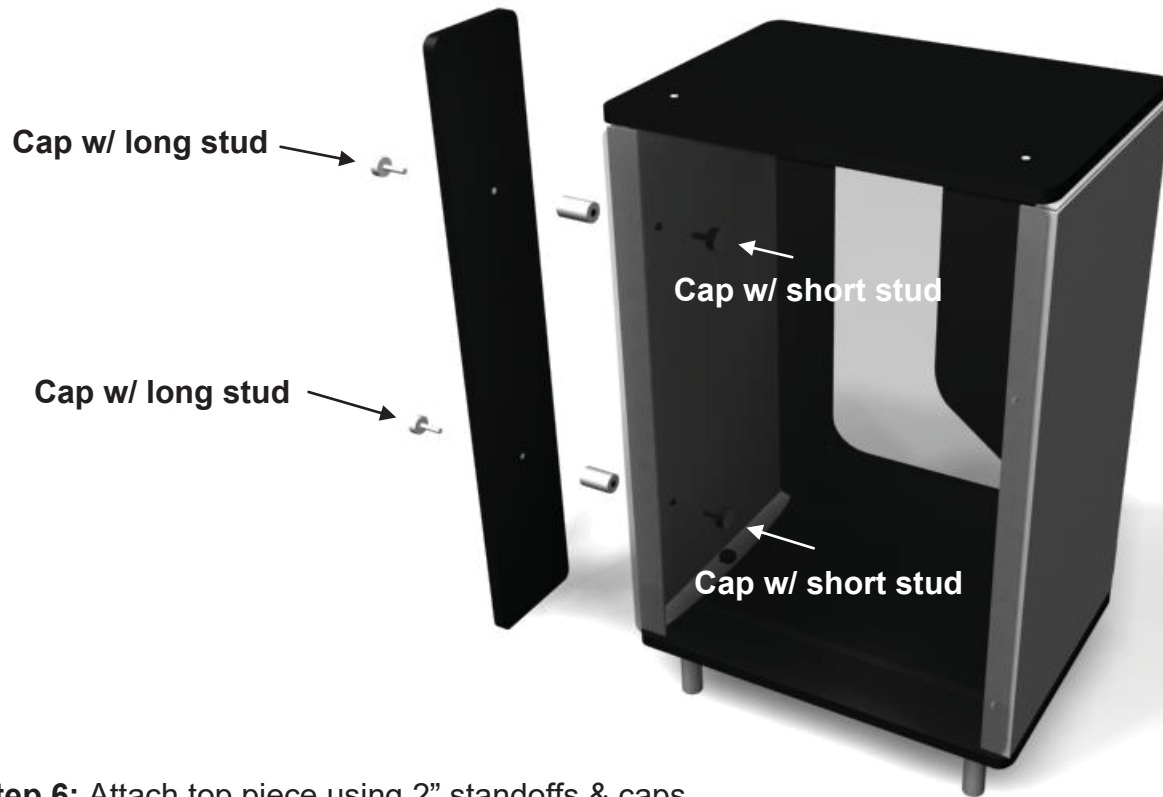
**Step 3:** Attach front & back to sides using 8 short knobs.



**Step 4:** Attach top to sides using 2 short knobs.



**Step 5:** Attach side piece using 2" standoffs & caps.



**Step 6:** Attach top piece using 2" standoffs & caps.





**airbornevisuals**

1315 Walnut St., Ste 1616, Philadelphia, PA 19107  
www.airbornevisuals.com 800.821.2241