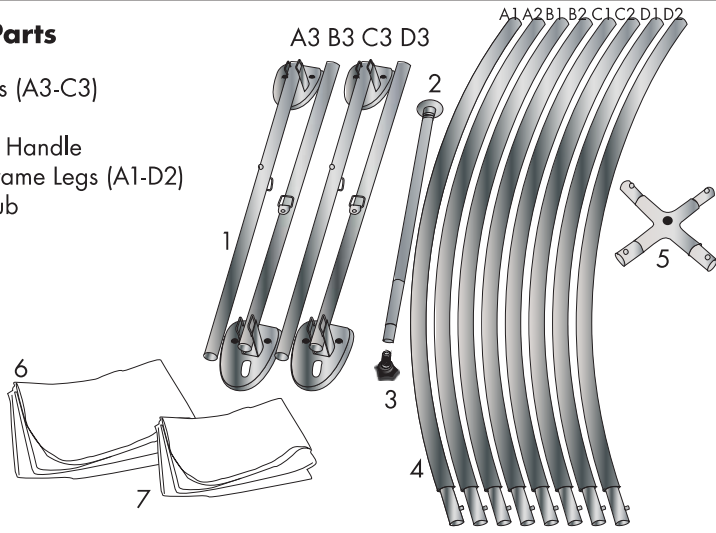


# Archway Event Tent

240750, 240751, 240752, 240753, 240754, 240756,  
240757, 240758, 240759, 240760, 240755

## Product Parts

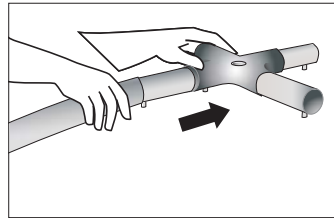
- 1 - Feet posts (A3-C3)
- 2 - Peak Pole
- 3 - Peak Pole Handle
- 4 - Curved Frame Legs (A1-D2)
- 5 - Center Hub
- 6 - Canopy
- 7 - Peak



## Set-Up

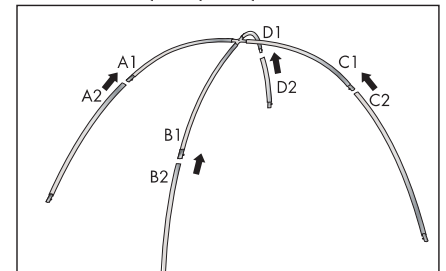
### Step 1

Remove all parts from the carry case and place at your desired location. Take the Center Hub (5) and insert A1/B1/C1/D1 into the hubs by pressing the snap release button and releasing when it lines up with the hole.



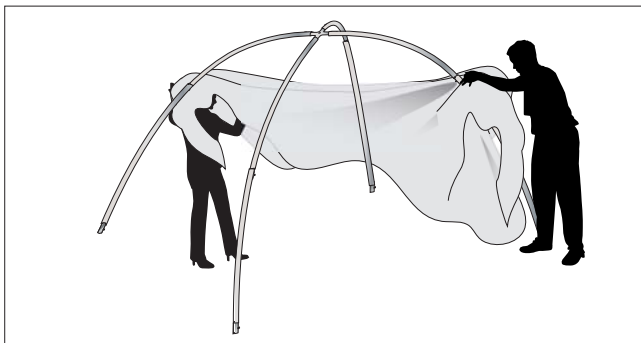
### Step 2

Repeat snap button process for A2/B2/C2/D2 curved frame legs (4)



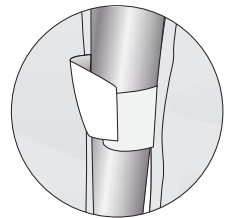
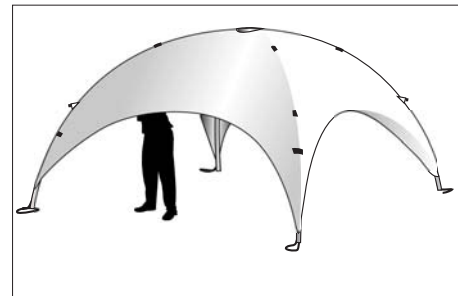
### Step 3

Before attaching the Feet Posts (1), drape the Canopy (6) over the curved frame legs (4). Fully stretch Canopy (6) and align with curved frame legs (4).



### Step 4

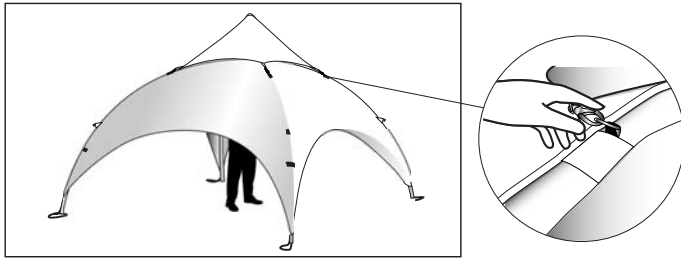
With Canopy (6) aligned over curved frame legs (4), go underneath and attach all velcro connections.



## Set-Up Continued...

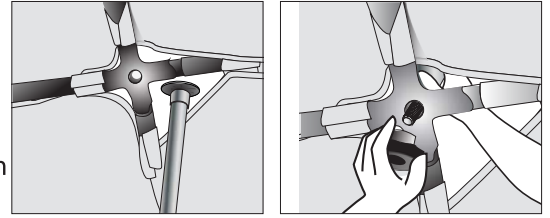
### Step 5

Drape peak (7) over top of Canopy. Clip into place at all 4 locations.



### Step 6

Take Peak Pole (2) and Peak Pole Handle (3), go underneath the tent and insert the Peak Pole (2) up through the open top space and align it with apex of the peak. Insert the end of Peak Pole (2) through framework. Screw Peak Pole Handle (3) to end of Peak Pole (2)



### Step 7

Verify that Canopy (6) and Peak (7) are aligned with the frame and all velcro tabs are secure on underside. Raise the frame and attach all feet posts (1). Secure the straps.



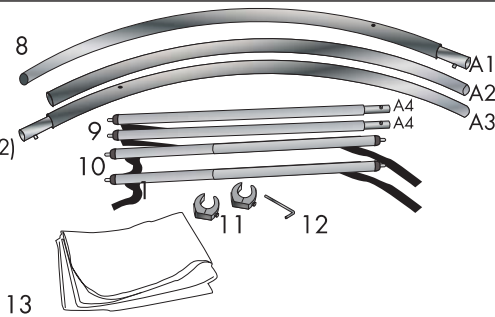
### TENT IS COMPLETE



## Options: Awning and/or Walls

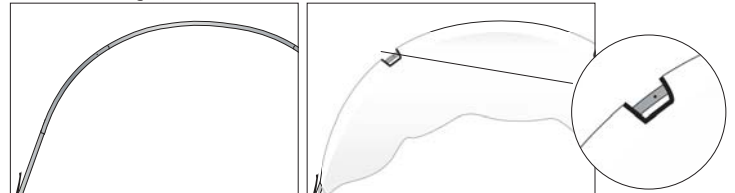
### Awning Parts

- 8 - poles (A1-A3)
- 9- end poles (A4)
- 10- Awning Post (Qty:2)
- 11- Bracket (Qty: 2)
- 12- Allen Wrench
- 13- Awning



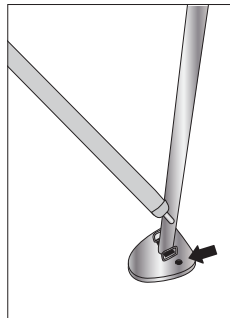
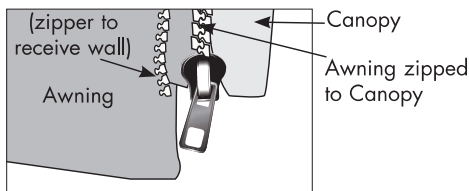
### Awning\_Step 1

Assemble Poles (8) and End Poles (9) (A-1 thru A-4) and insert it into the pocket on the Awning (13). Make sure to align the holes on the assembled poles with the cut-outs in the Awning (13).



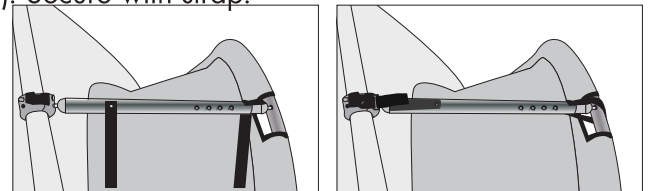
### Awning\_Step 2

Insert the end of the End Pole (9) into the hole located at the base of the Feet Posts (1). Zipper the awning to the canopy. Make sure holes in the assembled Poles (8) face the tent.



### Awning\_Step 3

Attach the Awning Posts (10) to each side of the canopy by clamping the Bracket (11) to the tent frame using the Allen Wrench (12). Insert one Post end into the Bracket and the other end into the hole on the Assembled Poles (8). Secure with strap.



### TENT WITH AWNING

### TENT WITH WALL



### Walls



Walls can be attached to the Canopy zipper or the Awning Zipper. Simply, zipper the wall in place and velcro around tent legs.