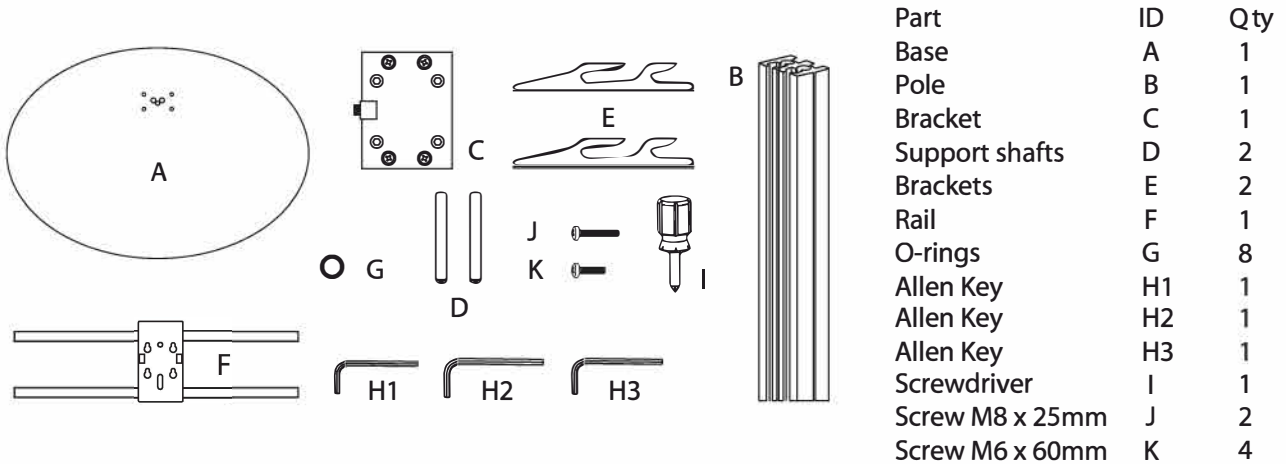


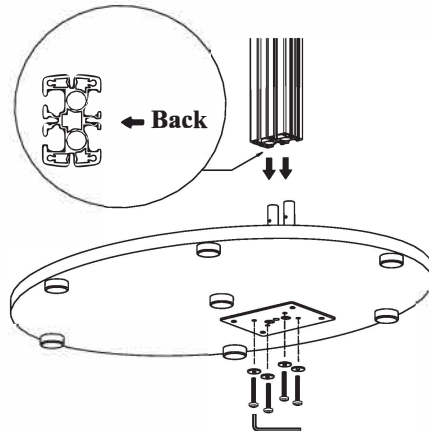
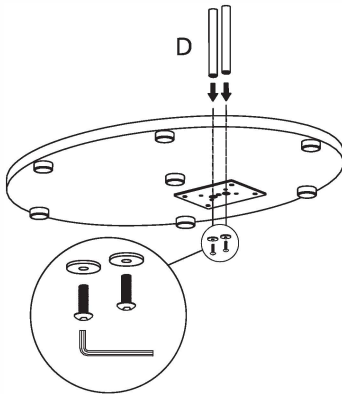
## TRADE SHOW TV STAND

Thank you for purchasing the TRADE SHOW TV STAND. This TV stand is designed to accommodate flat panel TV's from 37 to 72" diagonal weighing up to 80 Lbs. No additional tools are required for assembly.



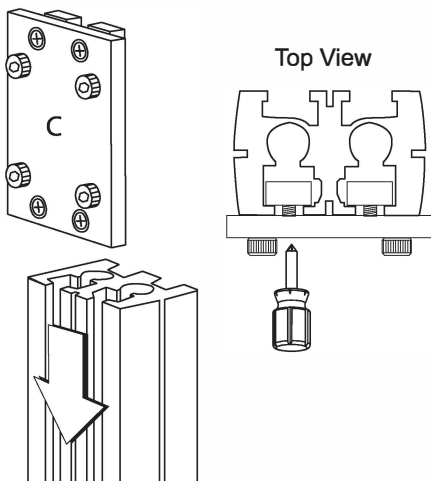
### Step 1.

2pcs of support shafts (D) insert into the bottom holes of Base (A), fixed with M8 x 25mm screws by allen key (H2)



### Step 2.

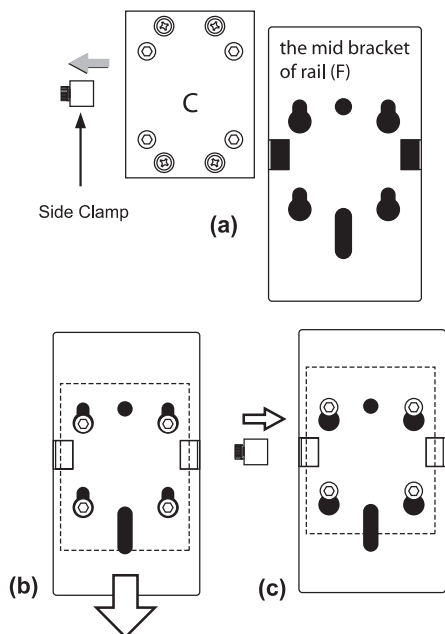
Insert the Pole (B) into the support shafts (D), bottom fitted with M6 x 60mm screws by Allen key (H3)



### Step 3.

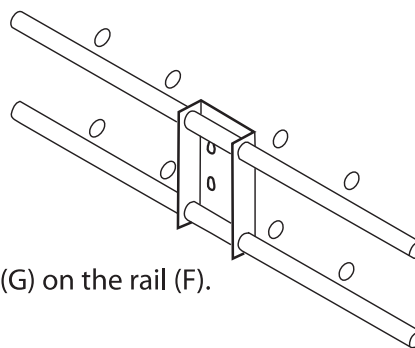
- Loosen the 4 philips head screw in the front of the bracket (C) enough so that the attached block allows sliding into the poles channel (B) as the picture shown.
- Adjust the height of bracket (A) to your desired height
- Tighten the 4 philips head screws in the front of the bracket(C) locking it in position.

# Assembly Instruction



## Step 4.

- Take away the side clamp in the left of the bracket ( C )  
Loosen the hex bolts enough to allow the keyholes in the Mid Bracket of Rail ( F ) to slide over the bolts
- Align the keyholes and slide the Mid Bracket ( F ) over and down as the picture shown, once the Mid Bracket ( F ) is in place, using the provided Allen Key to tighten the hex-screws.
- Return the side clamp to its original position, tighten clamp locking the Mid Bracket ( F ) in position.



## Step 5.

Place the O-rings ( G ) on the rail ( F ).

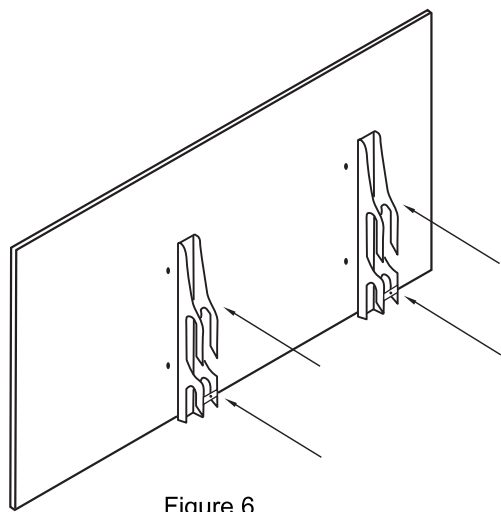


Figure 6

## Step 6.

Attach Mount Brackets ( E ) onto the back of the TV.  
Use Allen Key ( H ) to tighten to tighten Bracket ( E ) onto TV. Figure 6.

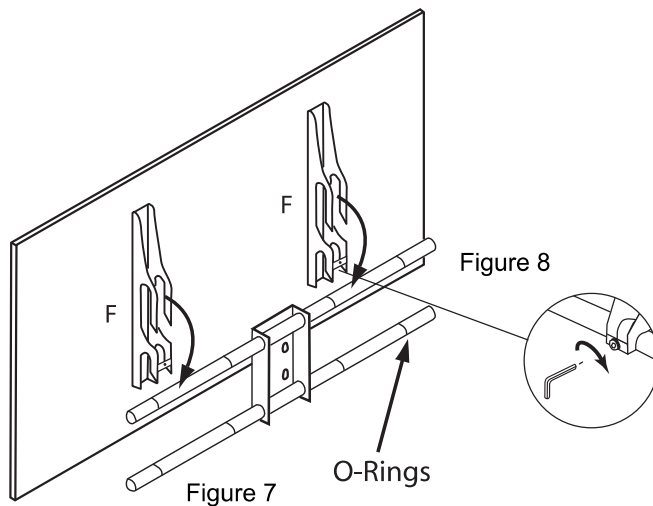


Figure 7

O-Rings

Figure 8

## Step 7.

With 2 people lift and center the TV and hook onto key holes on Bracket ( C ) and secure.

Slide O-rings up against each side of LCD brackets. Figure 8.