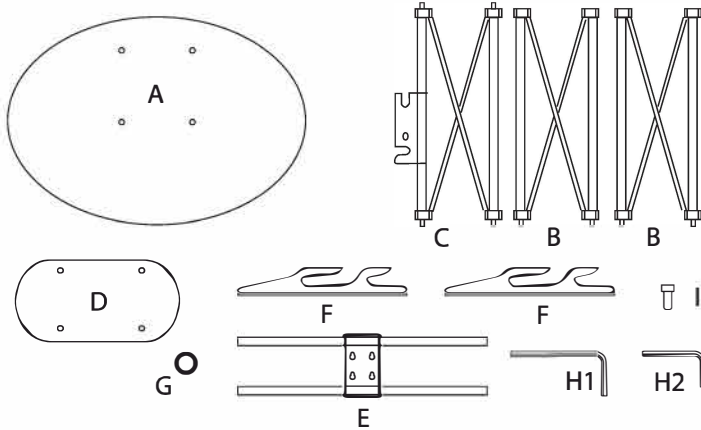


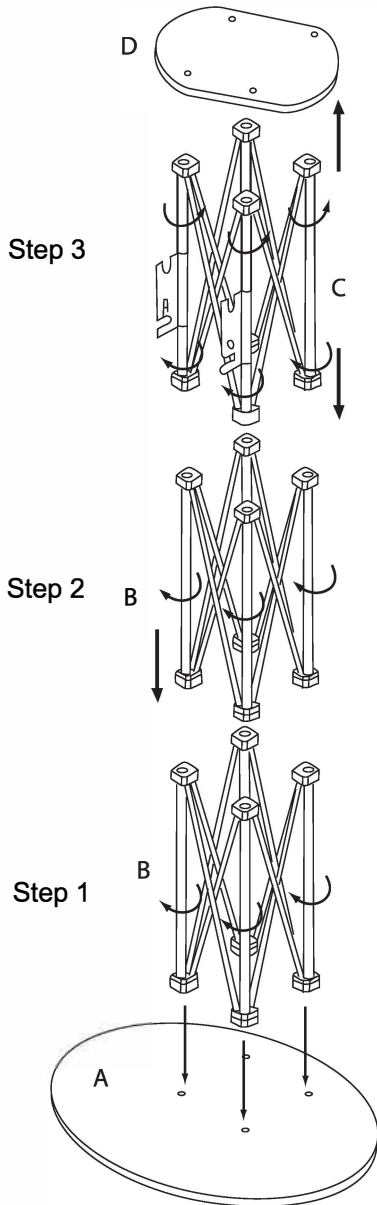
EZ FOLD TRADE SHOW TV STAND

Thank you for purchasing the EZ Fold Trade Show TV Stand.

Our folding truss stand is designed to accommodate flat panel TV's from 37 to 72" diagonal weighing up to 80 pounds. No additional tools are required for assembly.



| Part | ID | Qty |
|-----------------------|----|-----|
| Base | A | 1 |
| Truss | B | 2 |
| Top Truss | C | 1 |
| Top plate | D | 1 |
| Rail | E | 1 |
| Brackets | F | 2 |
| O-Rings | G | 8 |
| Allen Key | H1 | 1 |
| Allen Key | H2 | 1 |
| Bolts | I | 6 |
| Carry Bag (not shown) | | 1 |



See Figure 1 (left) for steps 1-3.

Step 1.

Place Base (A) on floor. Expand one of the Truss (B) on top of base aligning screws with holes.

Twist each Truss pole clock-wise in half turn increments. Repeat until tight.

Step 2.

Expand the next Truss (B) and align with existing Truss (B).

Twist each Truss pole clock-wise in half turn increments. Repeat until tight.

Step 3.

Expand Top Truss (C) and align with middle Truss (B).

Twist each Truss pole clock-wise in half turn increments. Repeat until tight.

Align Top Plate (D) with top of Truss (C). Twist the top of each Truss pole (C) counter-clockwise in half turn increments. Repeat until tight.

Figure 1

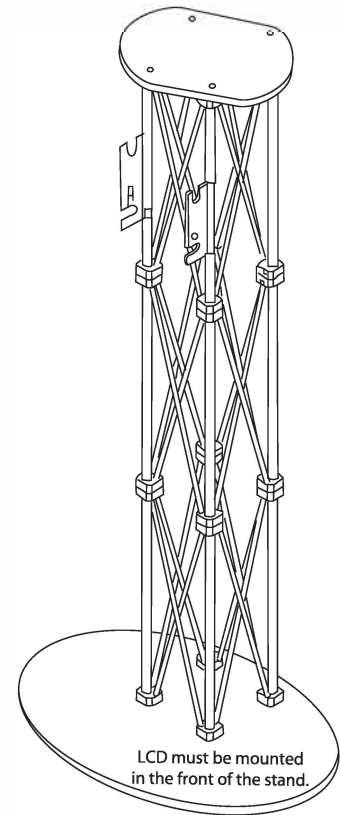


Figure 2

Stand Assembly Instruction

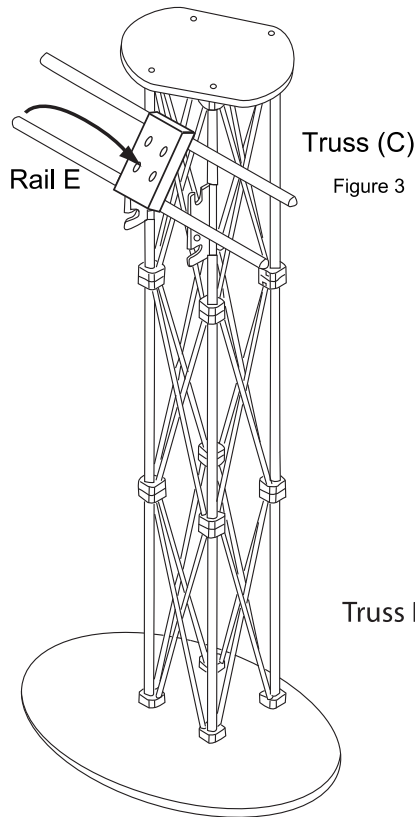
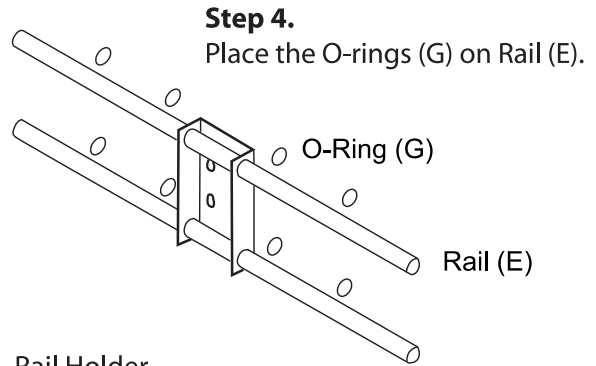
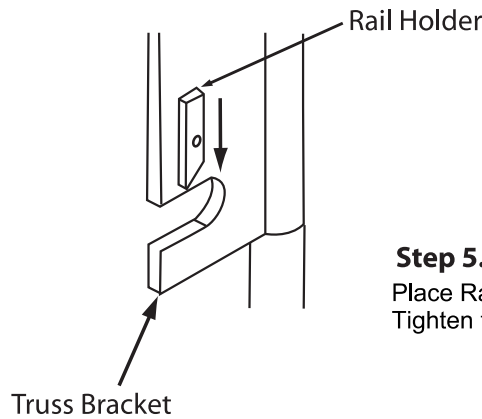


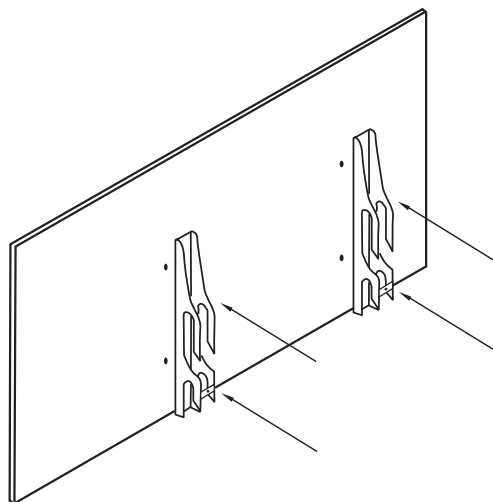
Figure 3



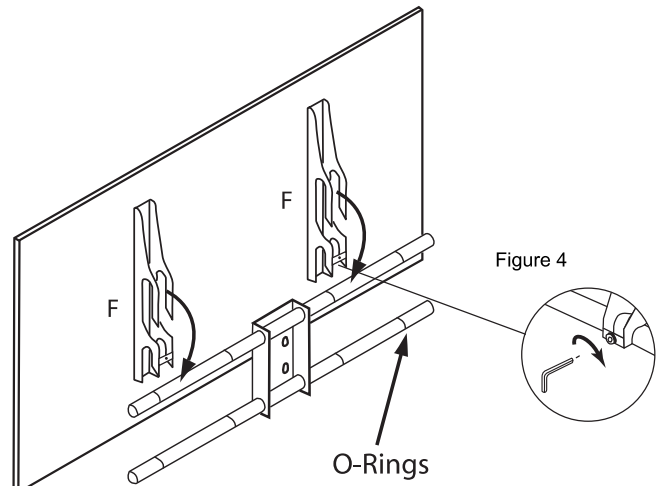
Step 4.
Place the O-rings (G) on Rail (E).



Step 5.
Place Rail (E) on Top Truss bracket (C) Figure 3.
Tighten the set screw of the rail holder to stabilize.



Step 6.
Mount Brackets (F) onto the back of the TV using bolts (I). Tighten Bolts with Allen Key(H1). DO NOT OVER TIGHTEN.



Step 7.
Use 2 people to lift and center TV, hooking Brackets (F) onto rail (E).

Tighten lock Bolts to secure. Figure 4.

Slide O-rings against each side of TV Brackets (F).