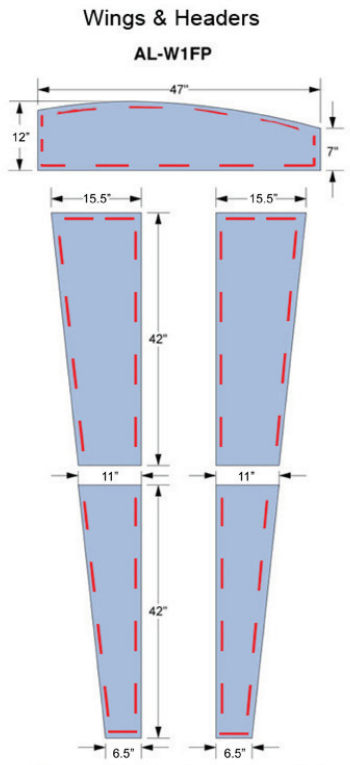
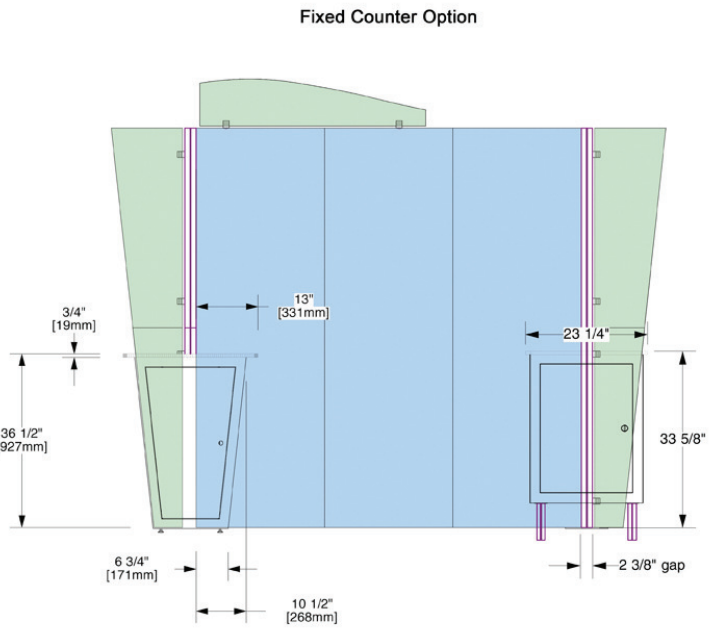


Panel Dimensions

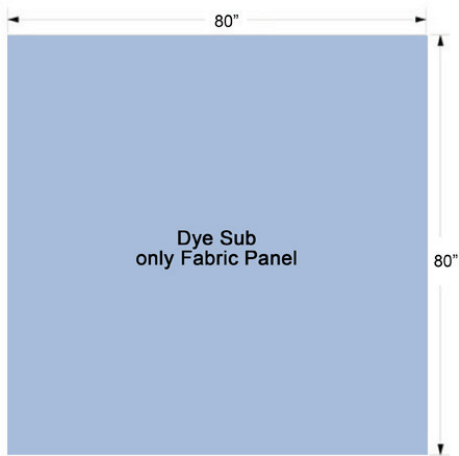


**** Please note that sizes shown include a 1/4" bleed to each panel that will be trimmed off. Please design artwork accordingly.****



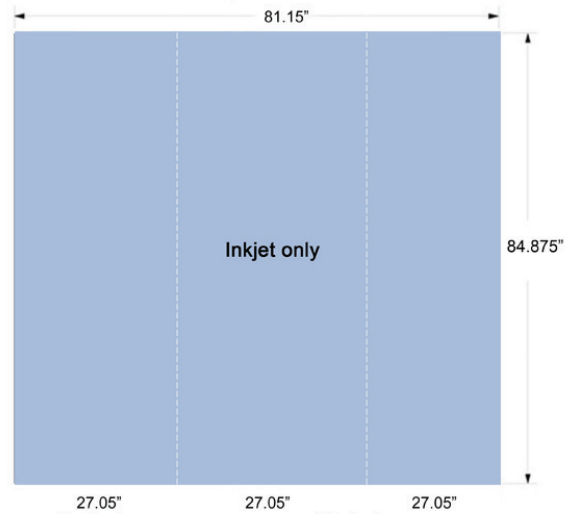
= visible area

Dye Sub graphic panel



NOTE: Do not place critical art within 2" of the border, and leave an additional 1" white border all around.

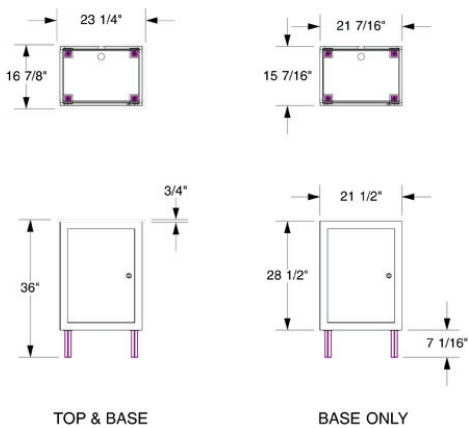
Inkjet graphic panels



Front Panels:
 Printing: Prepare file at 81.15"x84.875"
 Cutting: Panels are cut at 27"x84"
 Magnetizing: Place right to edge on all 4 sides

Wing Panels:
 Printing: Prepare file at size shown which include 1/4" bleed
 Cutting: 1/4" from each side will trim off

Lineare Counter Dims



Alumalite Counter Dims

