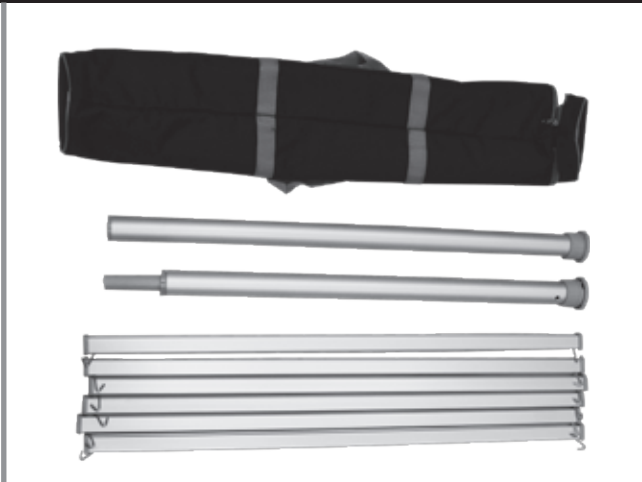
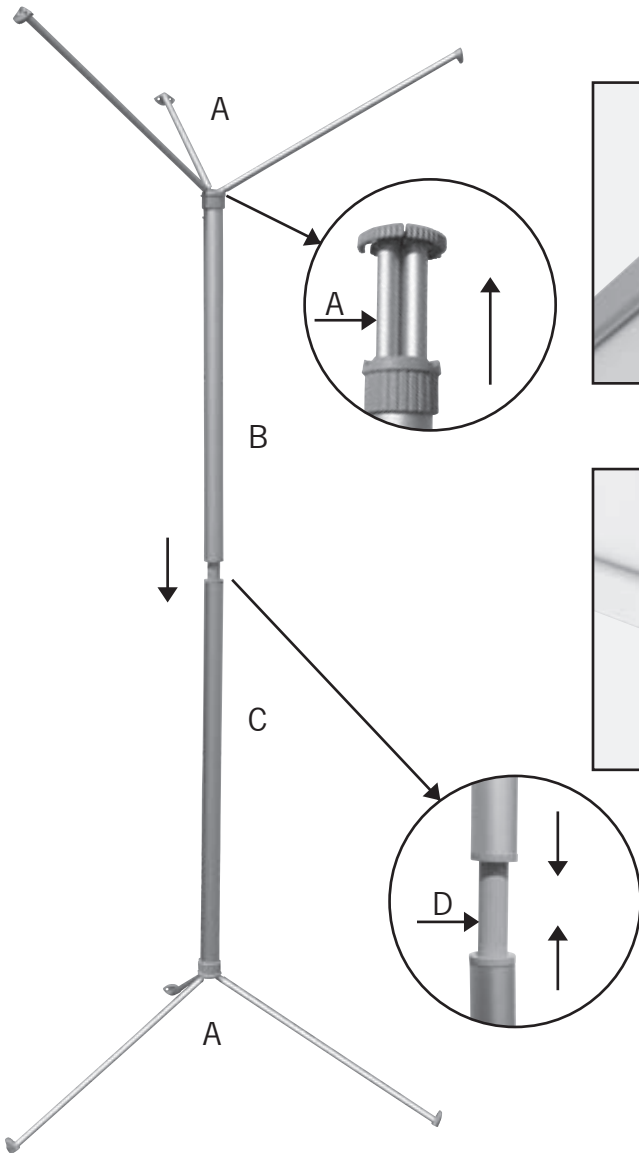
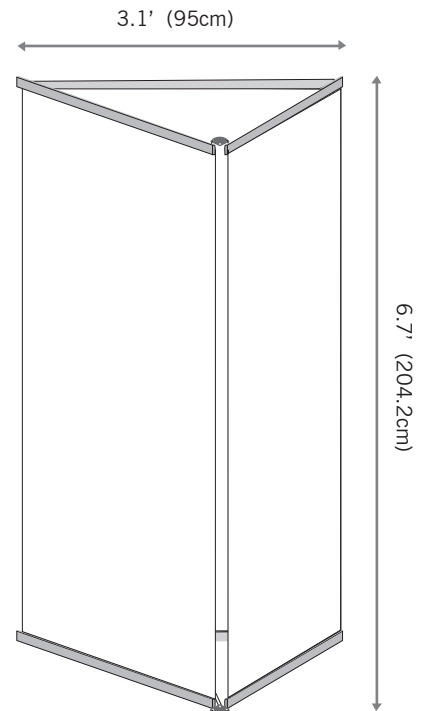


# Triple Display



- Display Contents:
- 2 spring mounted aluminium poles with 3 intergrated arms
  - 6 clamping rails
  - 6 clamping rails
  - 12 end caps
  - Carrying Case

5'9"



## Installation:

1. Lift the integrated banner arms (A) out of both poles (B & C) and set into position. (The bottom pole has the connector (D) attached.)

2. Take pole (C) with connector (D) facing upward and put in position.

3. Place pole (B) on top of connector (D), pole (C).

4. With the prints already installed, start with pole (B) and insert clamping rail hooks (A) through the corner piece (E) on the integrated banner arms.

5. Once all clamping rails are installed on pole (C), apply slight pressure downwards on pole (B) in order to attach clamping rail hooks (A) through the corner piece (E) on the integrated banner arms.

