

# Coyote Mini

The Coyote popup display system combines strength, reliability, and style in a lightweight and easy to use system. It is fully magnetic, making it simple to assemble and disassemble, and is available in two sizes.



## Features and Benefits

- Quick to set up
- Easy to store and ship
- LED lighting available
- Single or double sided
- Collapses to a fraction of its size
- Approx. 20% smaller than standard Coyote tabletops
- Entire display rolls up into a special storage sleeve which slides into a padded carry case
- Add an optional OCS hard case for shipping or extra secure storage

## Dimensions

### Display Dimensions:

See page: 2

Height: 48.5"/1232mm

Weight: 2x2: 14 lbs (w/ fabric panels)    3x2: 17 lbs (w/ graphic panels)

### Graphic Dimensions:

Panels: 22" w x 47.75" h (558.8mm w x 1212.85mm h)

Endcaps: 16" w x 47.75" h (406.4mm w x 1212.85mm h)

## Additional Information

### Shipping Dimensions:

Standard: 31" x 15" x 15"

In OCS Case: 44" x 18" x 18"

### Shipping Weight:

2x2 - Standard: 28 lbs

In OCS Case: 40 lbs

3x2 - Standard: 31 lbs

In OCS Case: 43 lbs

### Graphics:

-End panel substrate is to be 10 mils or less

-If printing own graphics, magnet must go directly to edge of panel

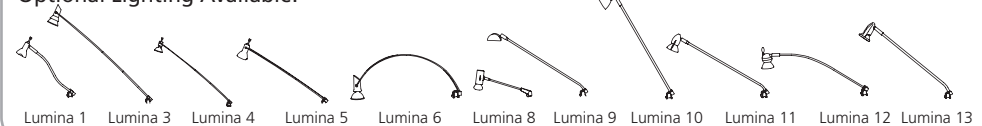
-Material: 22 mil opaque PVS or Foss Fabric

### Optional:

OCS Case for Shipping



### Optional Lighting Available:

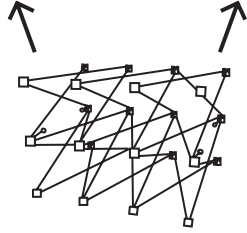


## Frame Assembly

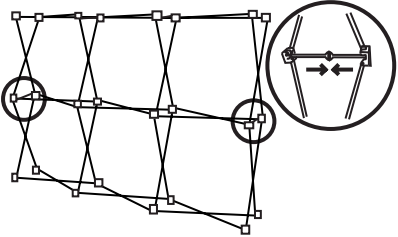
1



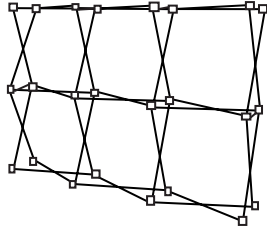
2



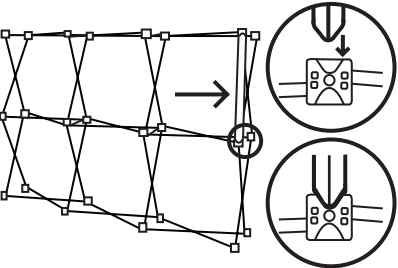
3



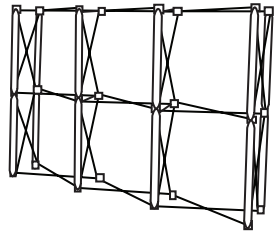
4



5

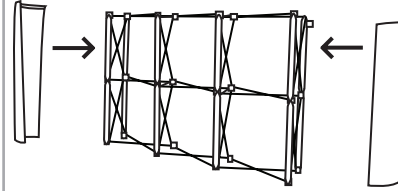


6

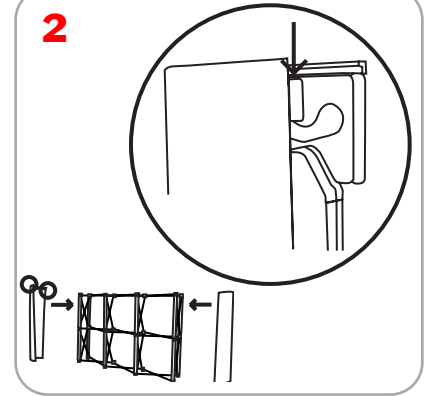


## Graphic Application

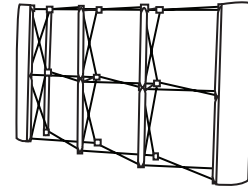
1



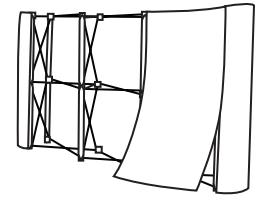
2



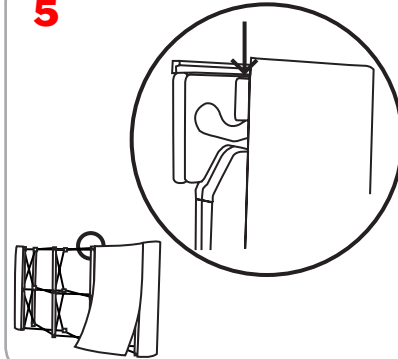
3



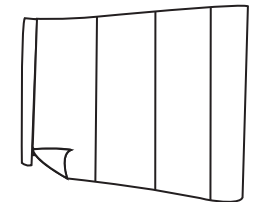
4



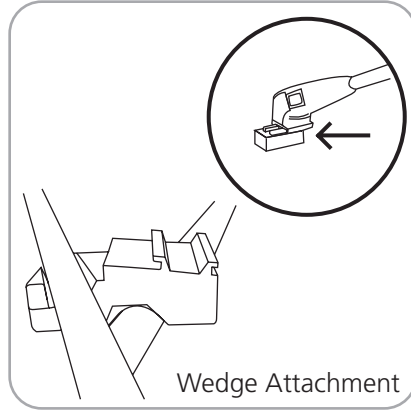
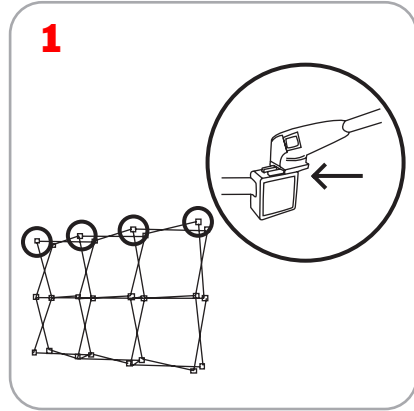
5



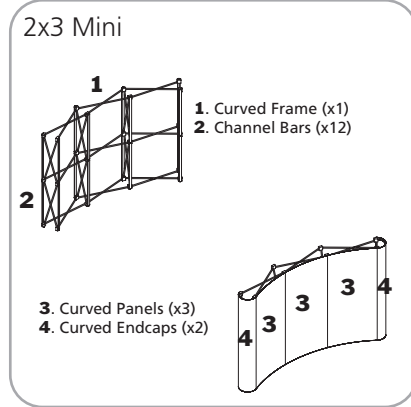
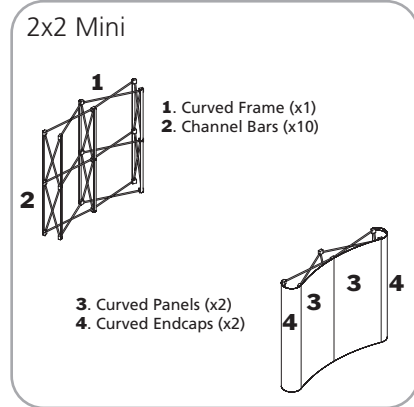
6



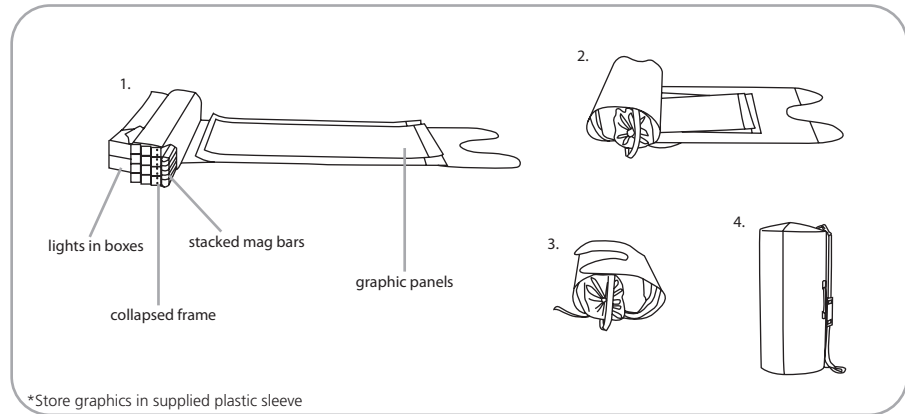
## Lights



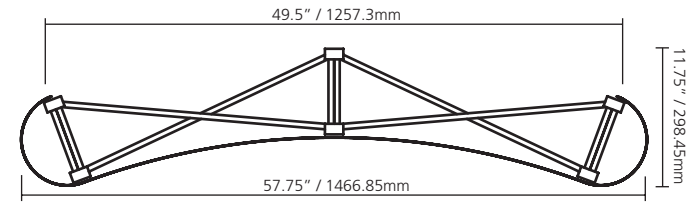
## Panel Placement



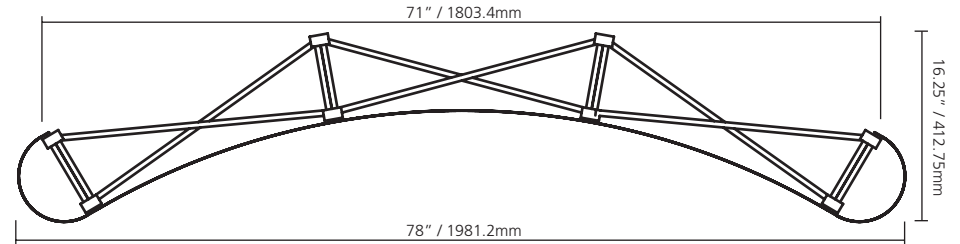
## Repacking



## 2x2 Coyote Mini



## 3x2 Coyote Mini



## 2x2 Coyote Mini Kit Includes:

(x1) 2x2 Frame

(x10) Channel Bars

(x2) Endcap Panels

(x2) Front Curved Panels

(x2) Lumina 1 Black Spotlights  
(unless another light specified)

(x1) Padded Carry Case

## 3x2 Coyote Mini Kit Includes:

(x1) 3x2 Frame

(x12) Channel Bars

(x2) Endcap Panels

(x3) Front Curved Panels

(x2) Lumina 1 Black Spotlights  
(unless another light specified)

(x1) Padded Carry Case