

# Rolling Base Curb Display

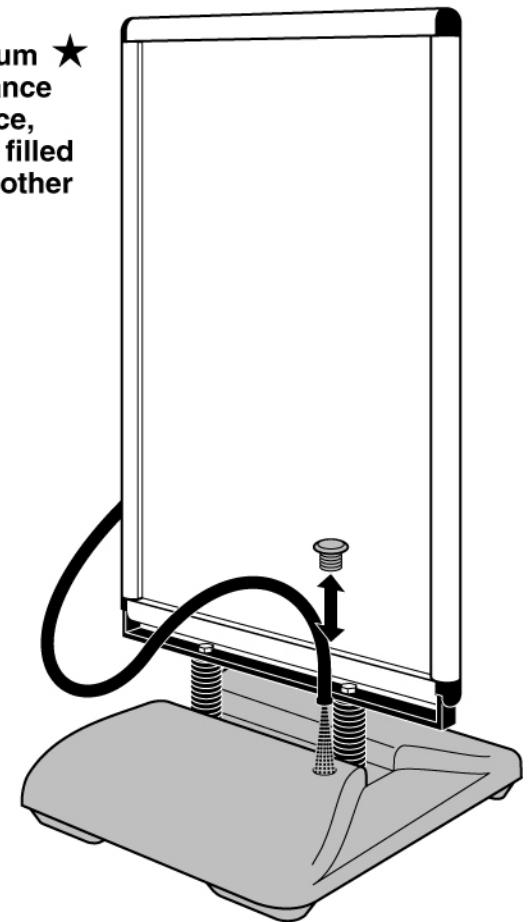
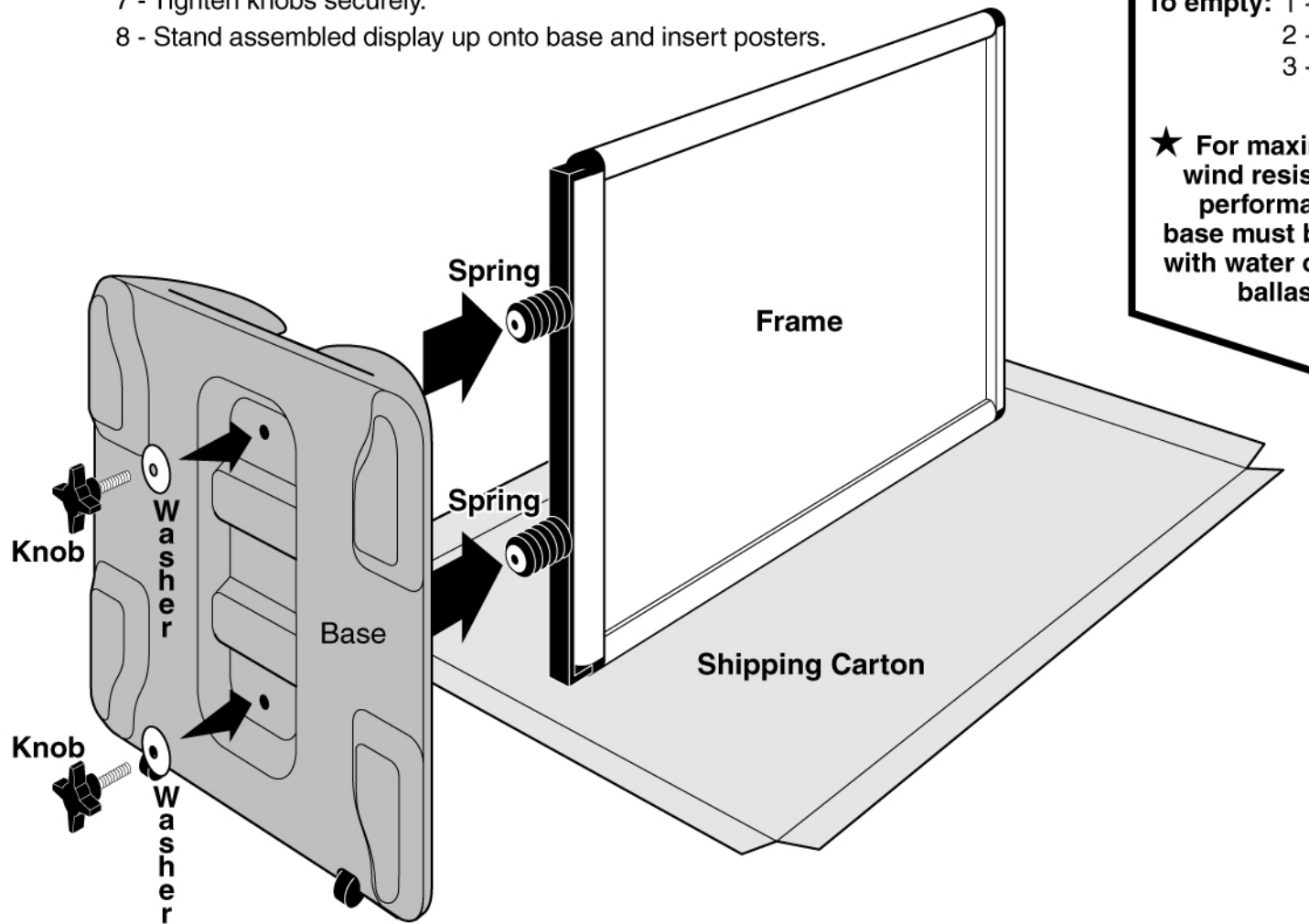
## Assembly Instructions

- Assembly:**
- 1 - Take both units (frame and base) out of shipping cartons.
  - 2 - Stand frame on its side on shipping carton (to prevent damage during assembly).
  - 3 - Position base against springs.
  - 4 - Line up hole on base with holes on springs.
  - 5 - Pass one knob and washer through base and loosely tighten into spring.
  - 6 - Repeat step 5B with second knob and washer.
  - 7 - Tighten knobs securely.
  - 8 - Stand assembled display up onto base and insert posters.

- To fill:**
- 1 - Unscrew and remove cap.
  - 2 - Fill base with water (water should NOT be used during freezing weather), sand or other ballast. (a funnel (not included), makes filling easier).
  - 3 - Replace cap.

- To empty:**
- 1 - Remove cap
  - 2 - Tip display on end.
  - 3 - Let drain.

★ For maximum ★  
wind resistance  
performance,  
base must be filled  
with water or other  
ballast.



# Rolling Base Curb Display

## Poster Installation

