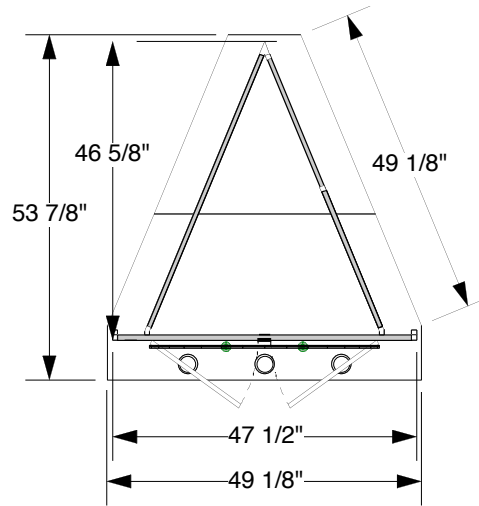
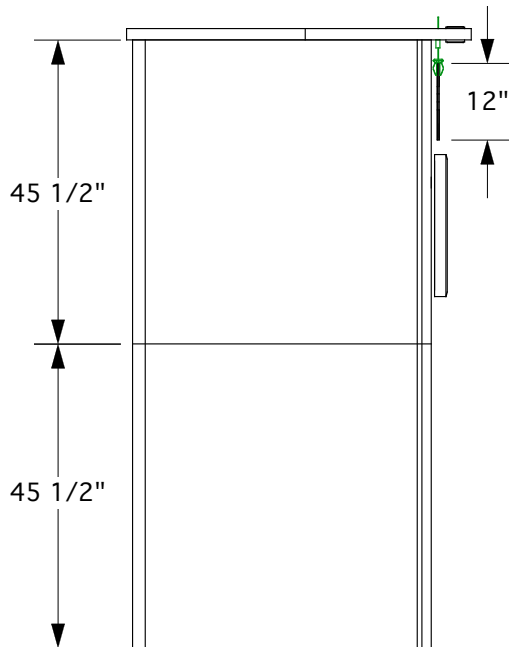


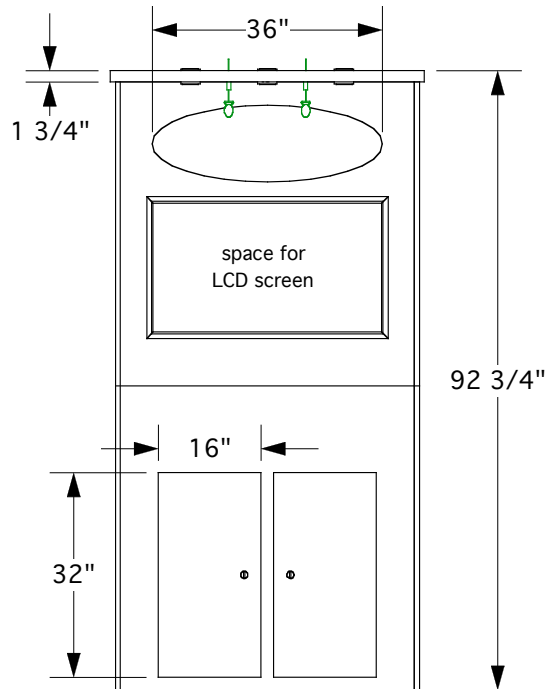
Tower Module with Ceiling



TOP VIEW



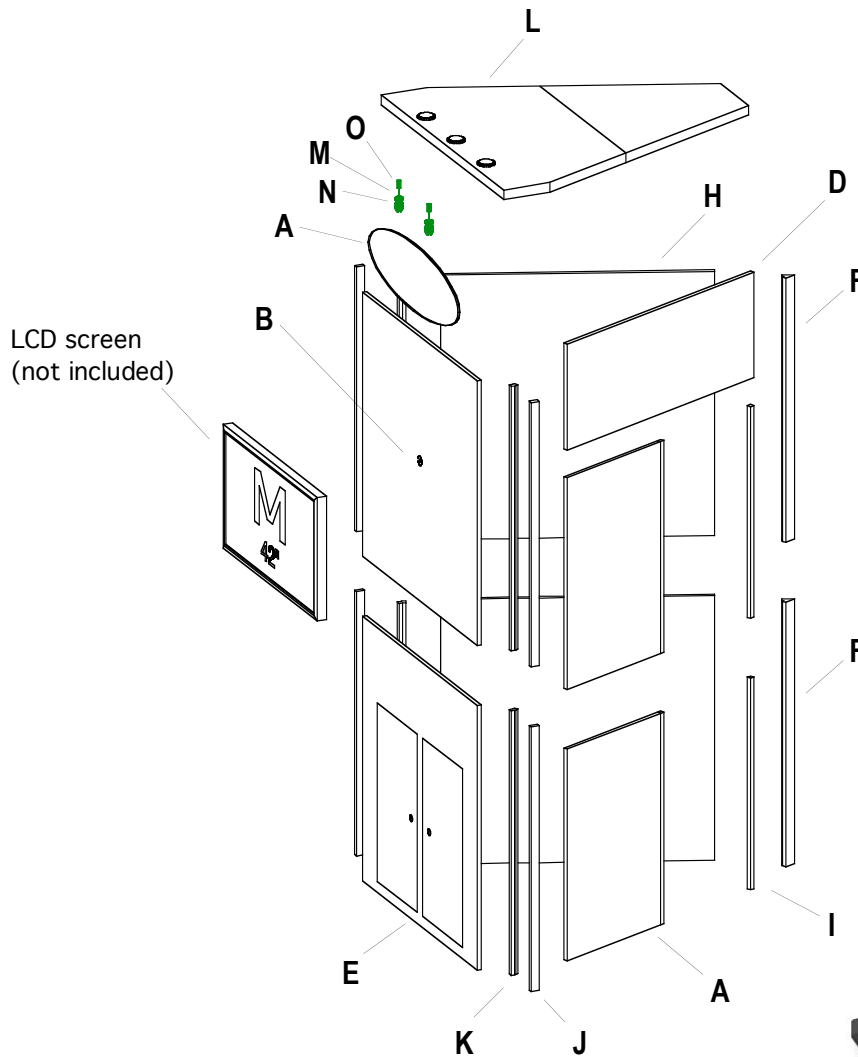
LEFT VIEW



FRONT VIEW

Tower Module with Ceiling

EXPLODED VIEW

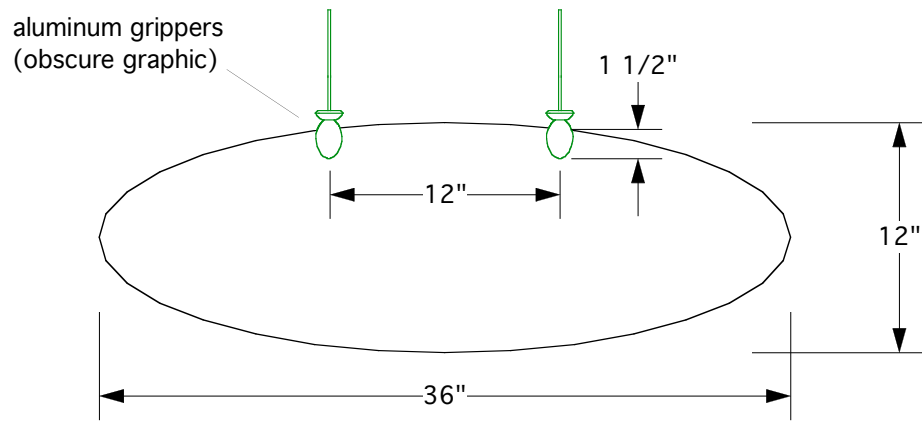


ID	QTY	PART	DESCRIPTION	WGT
A	1		2 Pc Plex Ellipse - 36x12 (1/4 clear, 1/8 milk)	4.0 lbs
B	1	4G1B/4G1G	Gromet - G1 (in panel)	0.0 lbs
C	1		45.5" x 46" w/Wood & 2 Tracks	25.0 lbs
D	1	L-1946R	19" x 46"	6.0 lbs
E	1		45.5" x 46" w/Doors (32"h) & 2 Tracks	21.0 lbs
F	2	L-4545	45.5" x Connector 45°	0.8 lbs
G	2	L-3823R	38" x 23"	12.0 lbs
H	2	L-4546R	45.5" x 46"	30.0 lbs
I	4	L-SQ38	38" x Endcap	6.1 lbs
J	4		45.5" x DoubleWide Endcap	8.4 lbs
K	4	L-15745	45.5" x Connector 157.5°	7.6 lbs
L	1	CUSTOM	CUST_Ceiling 54" x 49" w/Lights	15.6 lbs
M	2		Gyford Wire - 3/64" x 12"	0.0 lbs
N	2	SO-GRIP.500	Gyford Gripper .500 Clear Finish	0.5 lbs
O	2	WS-VWC	Gyford Vertical Wire Connector	0.5 lbs
TOTAL WEIGHT:				138 lbs



Tower Module with Ceiling

Information effective as of 2/14/06



FRONT VIEW

