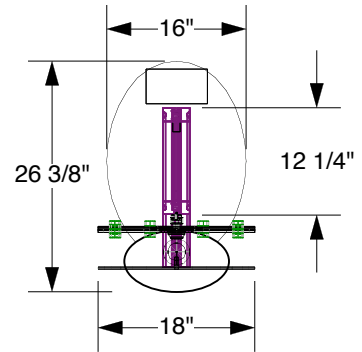
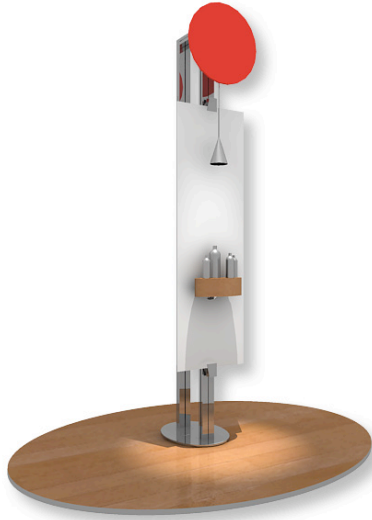
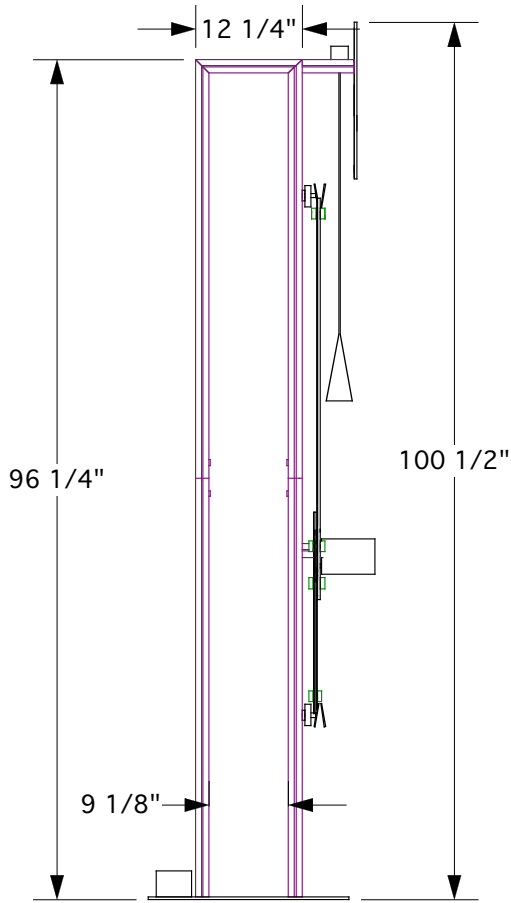


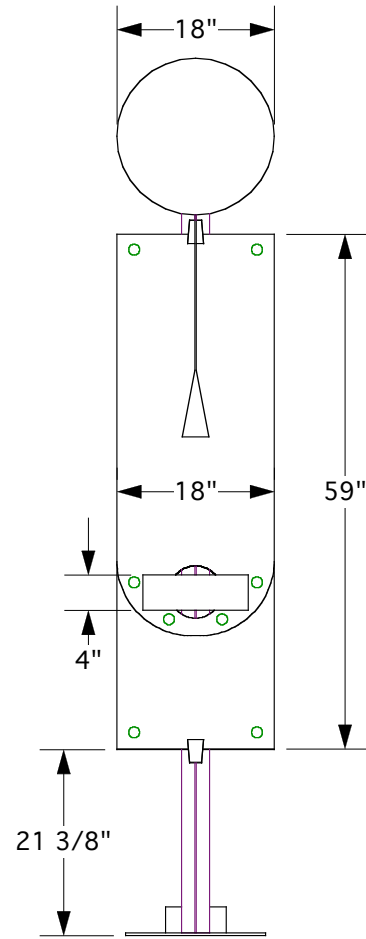
POP Counter Module



TOP VIEW



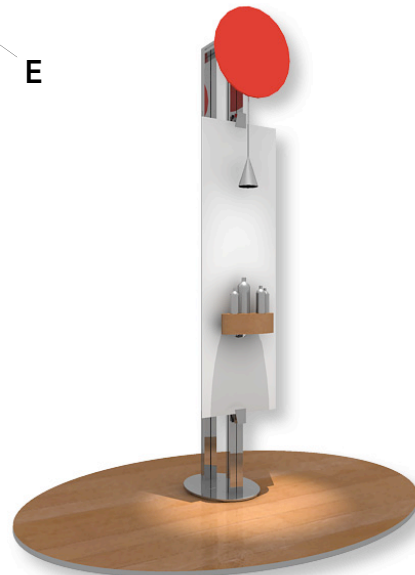
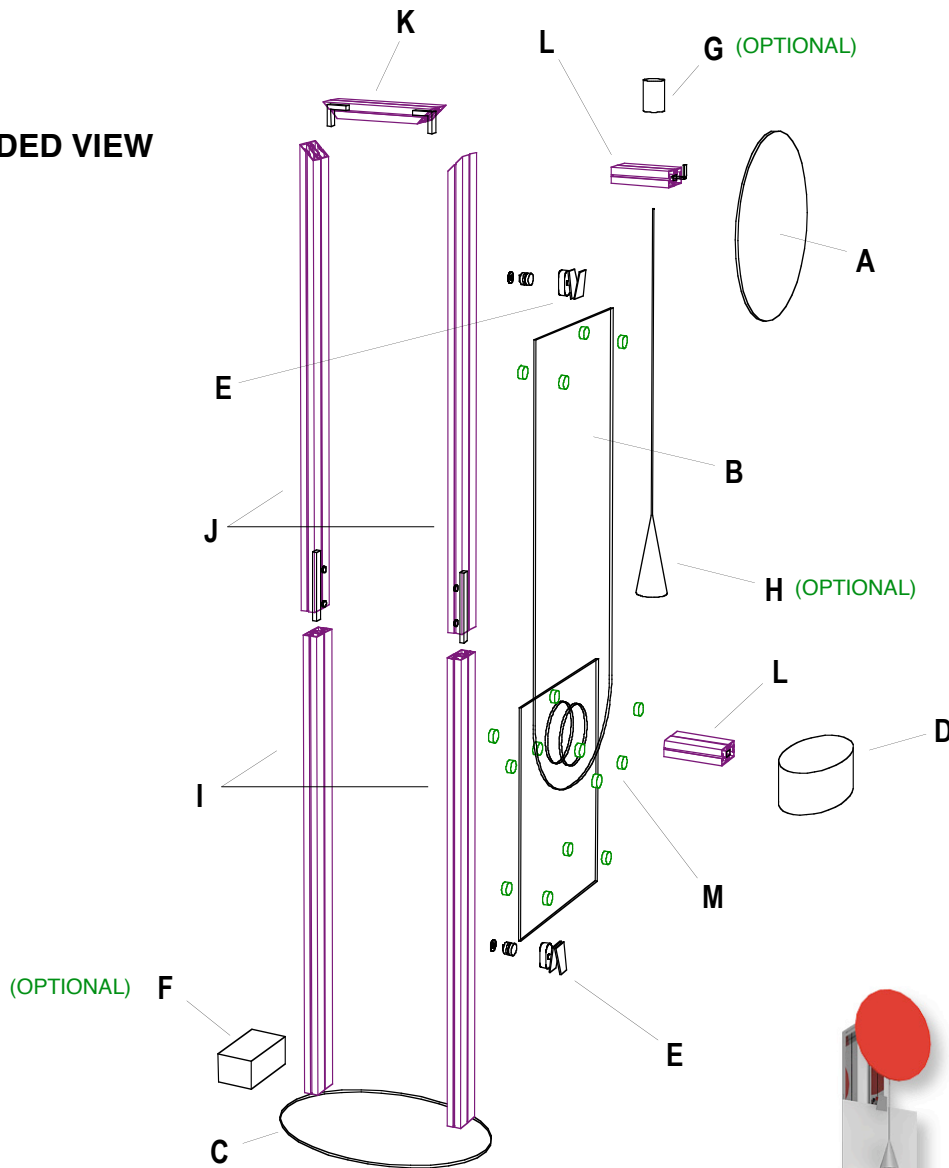
LEFT VIEW



FRONT VIEW

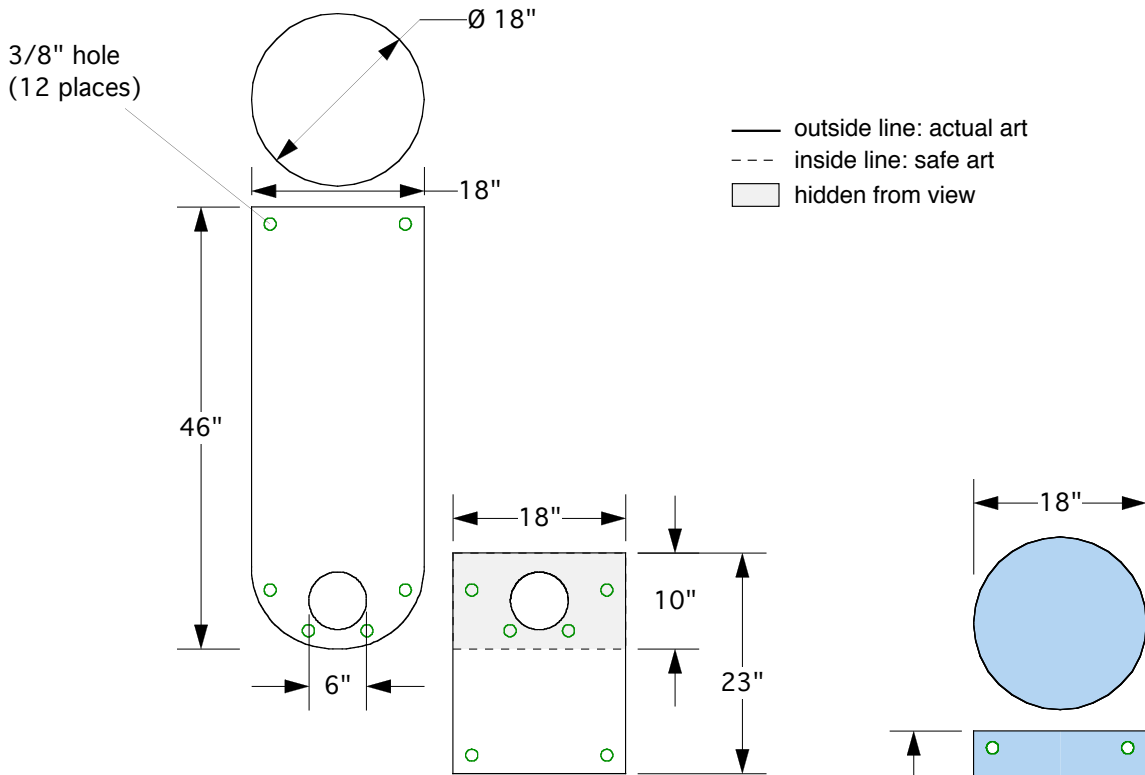
## POP Counter Module

### EXPLODED VIEW

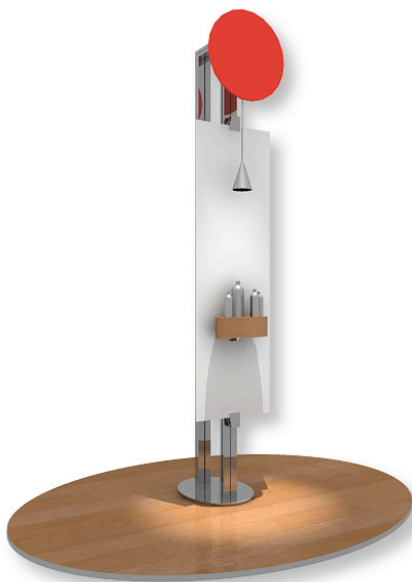


ID	QTY	PART	DESCRIPTION	WGT
A	1		1/4" Plex Circle - 18" dia.	5.5 lbs
B	1		4 Pc Plex w/Hole-18x59 (1/8 milk, 1/4 clear)	19.0 lbs
C	1		Fabricated Base (16x23) for 2 Octanorm Posts	21.0 lbs
D	1		Counter 12.026" x 6.063" 4" tall	3.5 lbs
E	2	800900-001	Flush Mount Puck Clamp - Aluminum	0.4 lbs
F	1	SL-300WTRANS	300 Watt Transformer (3-wire)	6.0 lbs
G	1	SL-FJPORT	Free Jack Port Only	1.5 lbs
H	1	SL-FJSUMMIT	Free Jack Summit Pendant Lamp	2.0 lbs
I	2	M1025-007	M1025 with Threaded Insert - 48"	11.0 lbs
J	2	M1025-008	M1025 with Splice - 48"	12.0 lbs
K	1	M1025-009	M1025 Horizontal - 12.25" w/2 Locks	6.0 lbs
L	1	M1025-010	M1025 with Lock & Insert - 6"	4.0 lbs
M	16	SO-CAP2	Standoff Cap - 1.25" dia.	0.2 lbs
<b>TOTAL WEIGHT:</b>				<b>118 lbs</b>

POP Counter Module



FRONT VIEW



Assembled

