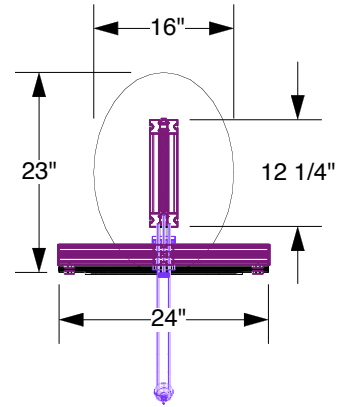
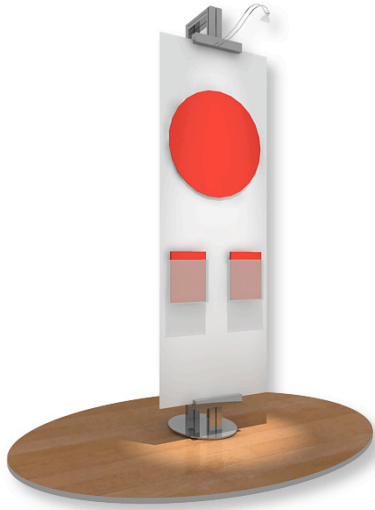
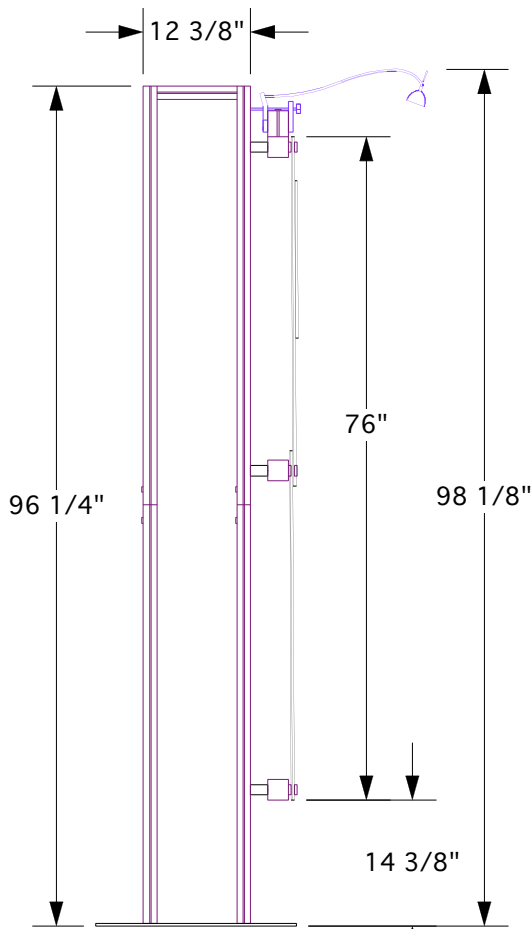


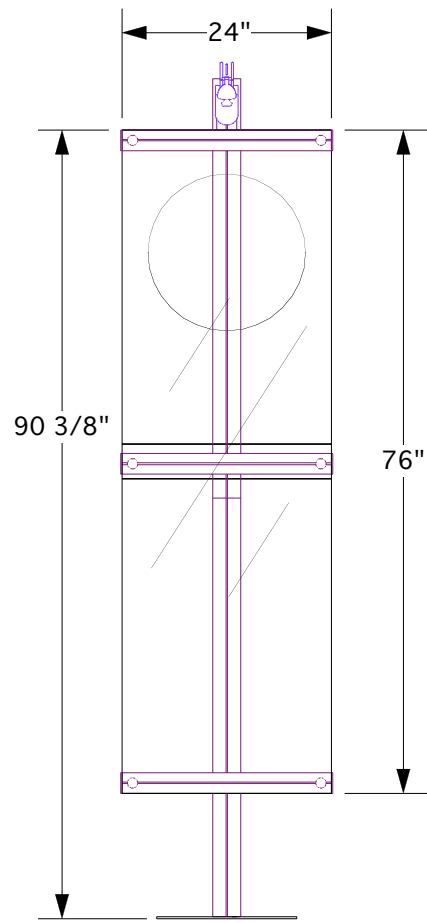
Graphic Media Module



TOP VIEW



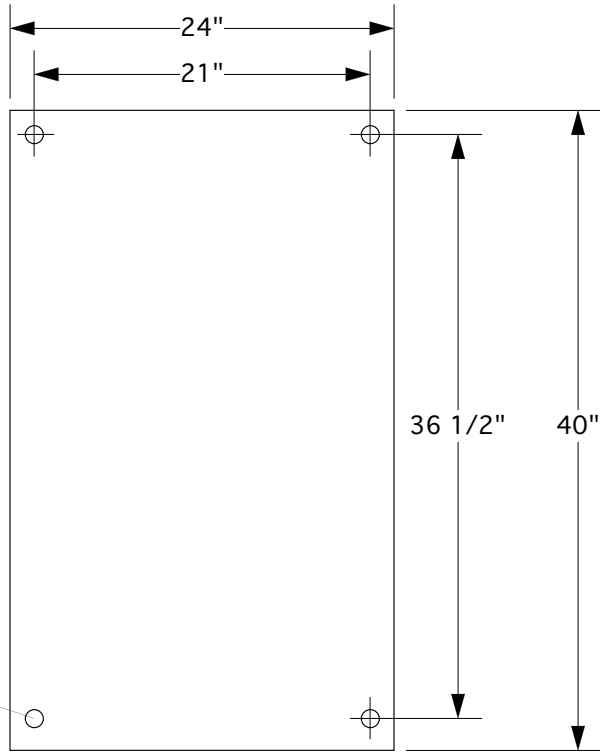
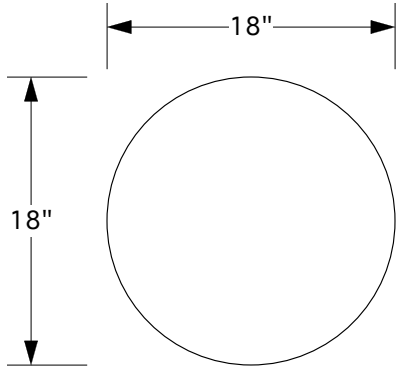
LEFT VIEW



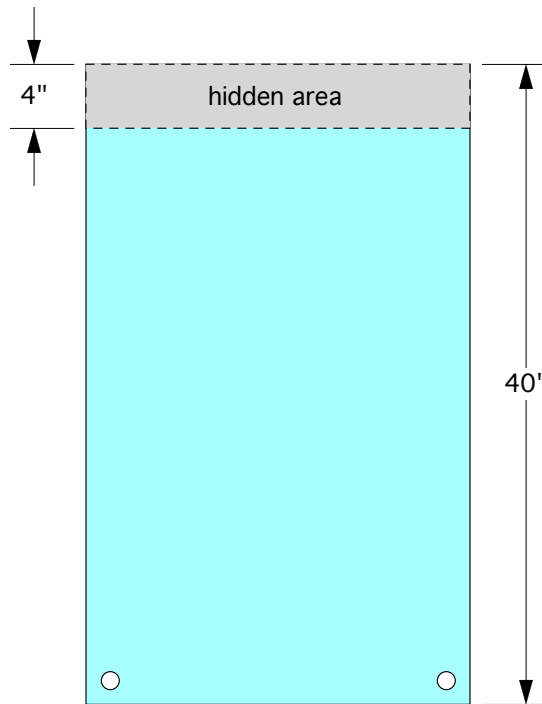
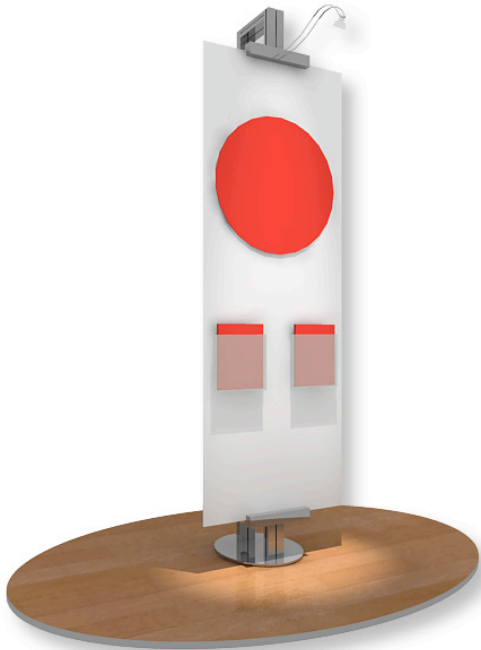
FRONT VIEW

Information effective as of 11/8/04

Graphic Media Module



aluminum standoff 1.25" dia
(6 places)

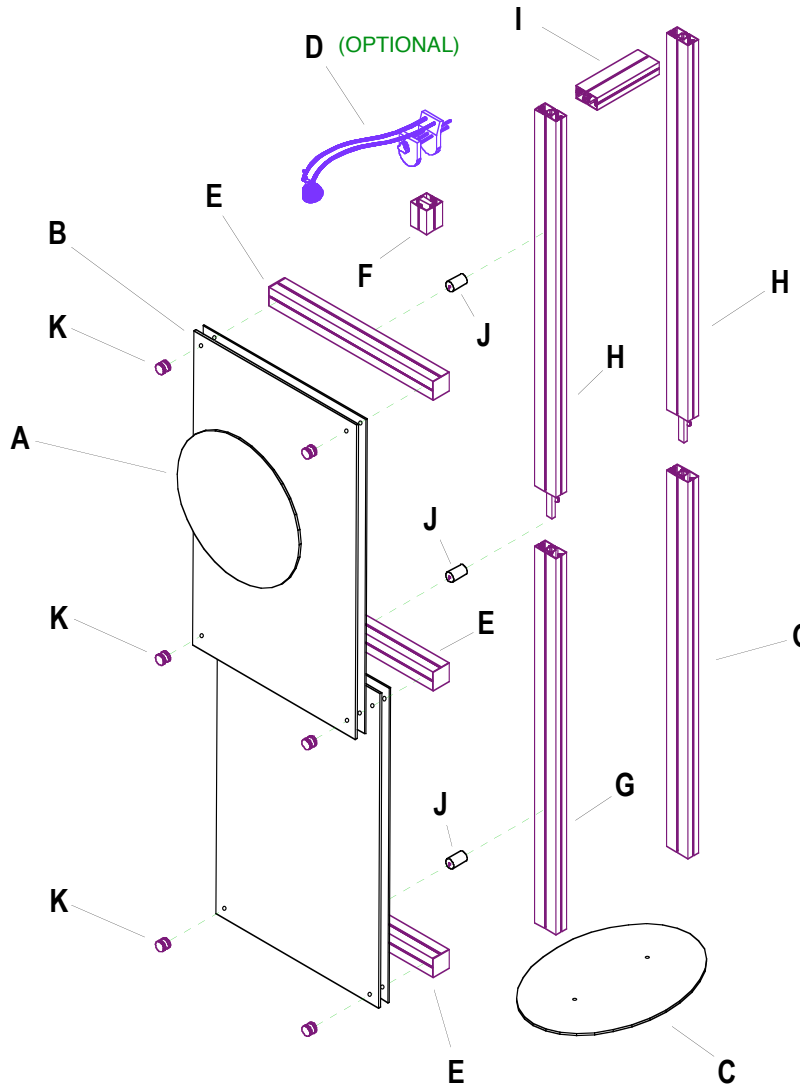


FRONT VIEW



Graphic Media Module

EXPLODED VIEW



ID	QTY	PART	DESCRIPTION	WGT
A	1		1/4" Plex Circle - 18" dia.	5.5 lbs
B	1		4 Pc Plex w/Holes-24x76 (1/8 milk, 1/4 clear)	21.0 lbs
C	1		Fabricated Base (16x23) for 2 Octanorm Posts	21.0 lbs
D	1	SL-Wave	Wave-Shaped Arm Light With Clamp	2.0 lbs
E	3	M1020-001	M1020 Horizontal 24" w/Caps	7.0 lbs
F	1	M1020-002	M1020 Light Mount 3" w/Lock	2.0 lbs
G	2	M1025-007	M1025 with Threaded Insert - 48"	11.0 lbs
H	2	M1025-008	M1025 with Splice - 48"	12.0 lbs
I	1	M1025-009	M1025 Horizontal - 9.125" w/2 Locks	4.0 lbs
J	3	M1135	Fixing Set - 50mm Distance	0.5 lbs
K	6	M1392	Panel Retainer-glass thickness 8-10 mm	0.5 lbs
TOTAL WEIGHT:				127 lbs

