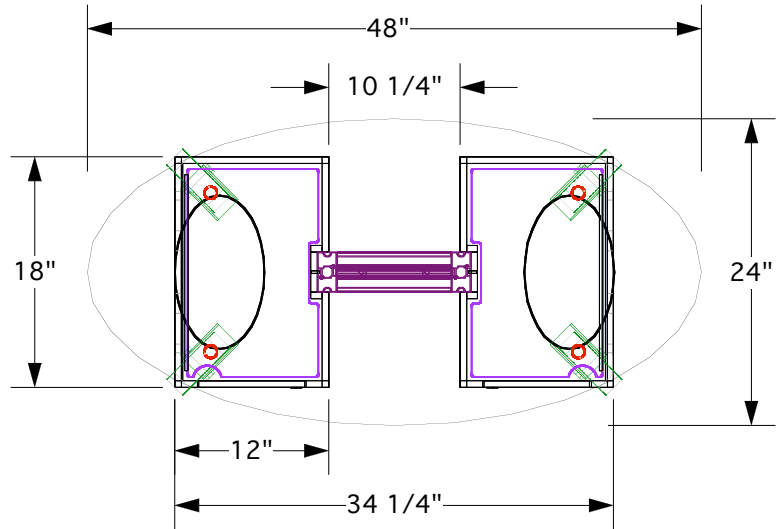
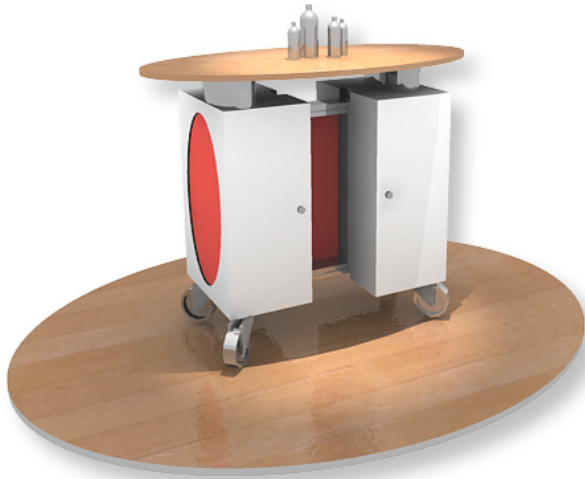
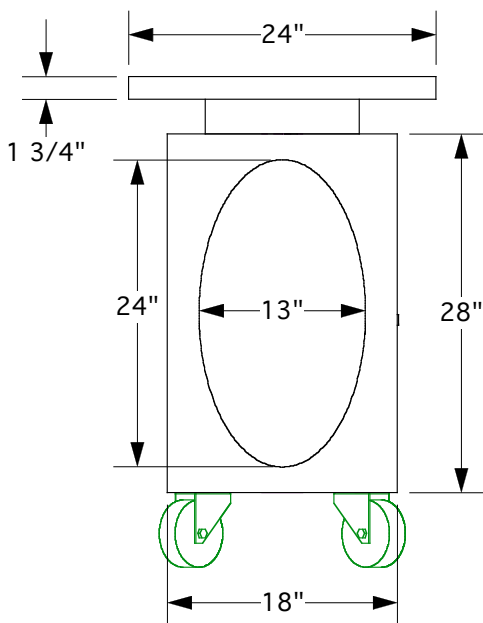


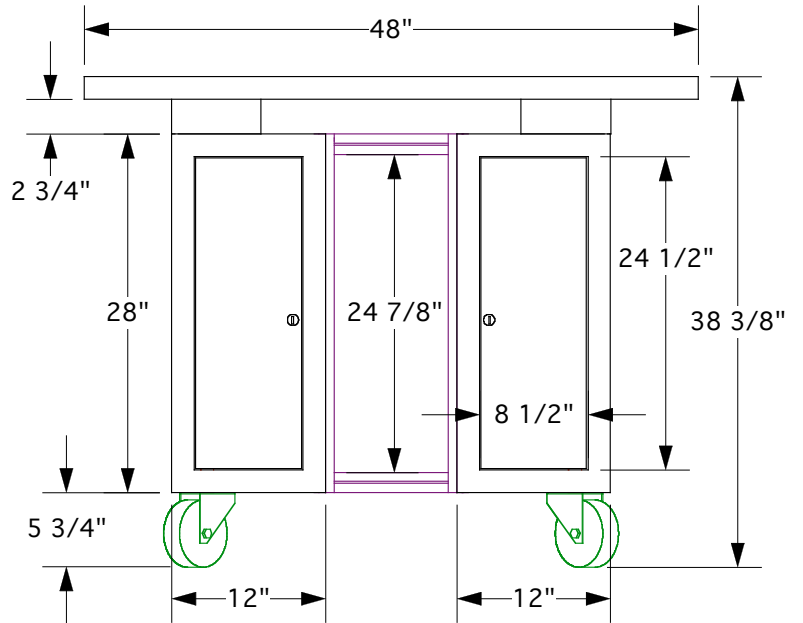
Double Counter Module



TOP VIEW



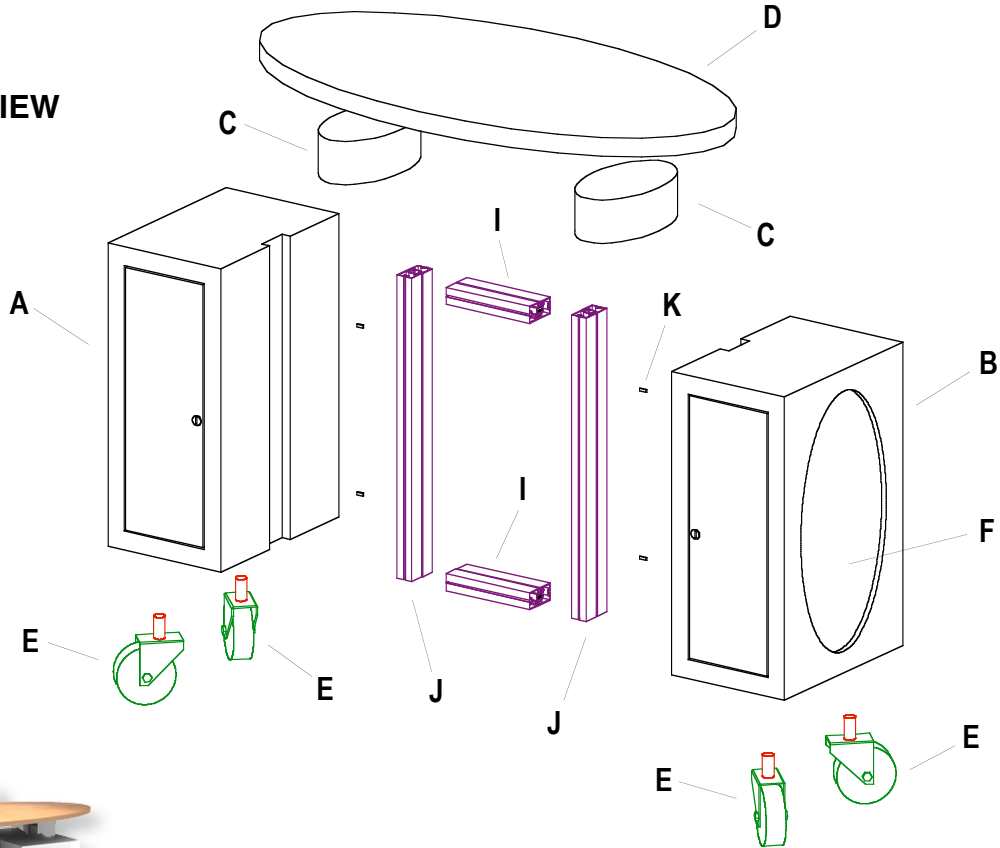
RIGHT VIEW



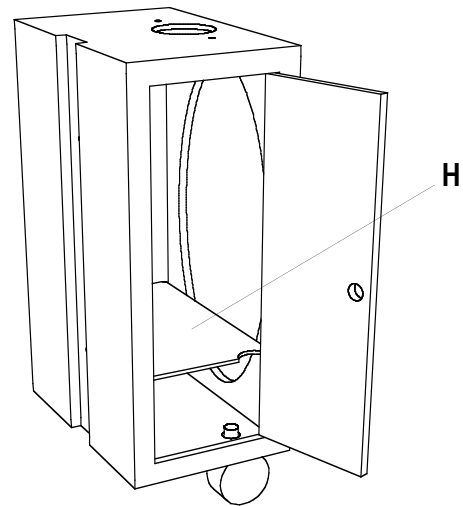
FRONT VIEW

Double Counter Module

EXPLODED VIEW

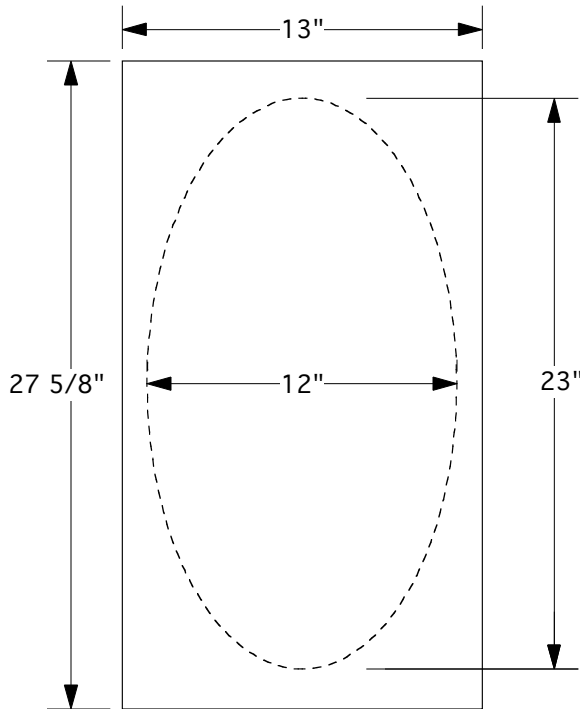


DETAIL VIEW



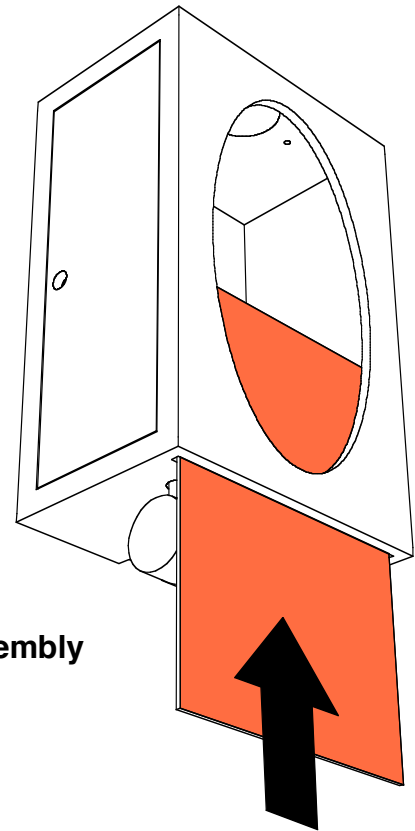
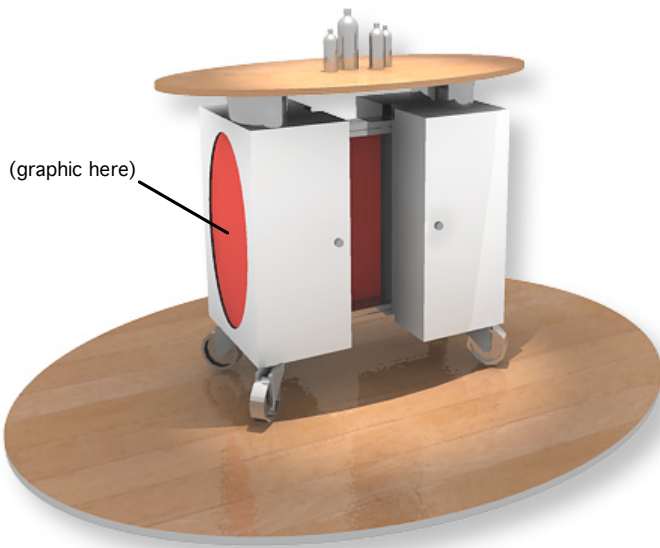
ID	QTY	PART	DESCRIPTION	WGT
A	1	L-CTRBOXR-08L	Fusion Counter - 36 Upright (L Dr)	28.0 lbs
B	1	L-CTRBOXR-08R	Fusion Counter - 36 Upright (R Dr)	28.0 lbs
C	2	L-RISER-XXX	Counter Riser - 12"x 7"x 4" Tall	4.0 lbs
D	1	L-CTR-XXX	Counter Top - 48" x 24" Ellipse	20.0 lbs
E	4	F-WHEEL	Castor 5 1/4" wheel	3.0 lbs
F	2	L-INSERT-01	Graphic Insert - 15x27 Laminated	6.0 lbs
G	1	L-SHELF-L	Inner Shelf - Left	4.0 lbs
H	1	L-SHELF-R	Inner Shelf - Right	4.0 lbs
I	2	M1025-001C	M1025 Horizontal 8.88" w/2 Locks	7.0 lbs
J	2	M1025-002C	M1025 Vertical 28"	7.0 lbs
K	4	M1475	M1475 Hammerhead Bolt	0.3 lbs
TOTAL WEIGHT:				145 lbs

Double Counter Module



— outside line: actual art
- - - inside line: visible art

FRONT VIEW



Assembly