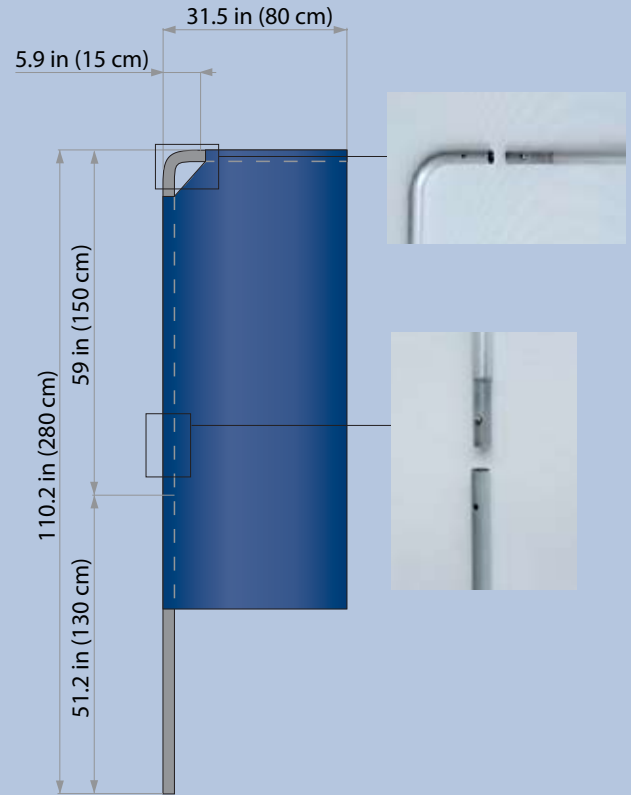




This lightweight advertising system is the ideal medium to display a flag. With the banner arm, single-reverse or double-sided flags are always on display. Assembly is easy and does not require any tools. You simply have to connect the pole segments, mount the flag and you are ready to go!

Advantages:

- Great value
- Flexible
- Lightweight system
- Easy setup within minutes
- Easy transport of segments with optional Carrying Case
- For single-reverse or double-sided advertising
- Indoor and/or outdoor
- Flexible pole dimensions with a maximum of 2.6ft x 9.2ft (80 x 280 cm)
- Different base options



Frame Dimensions (WxH)

- Variable up to 2.6ft x 9.2ft (80cm x 280cm) (WxH)

CS200 Pole Set

- Lightweight aluminum
- Set includes 1 thorn, 1 angled pole, 2 straight poles, and Economy Bag

Graphic

- Variable single-reverse max. 2.6ft x 6.6ft (80cm x 200cm)
- Variable double-sided max. 2.6ft x 6.6ft (80cm x 200cm)

Optional Carrying Case



Included with Pole Set. Lightweight fabric bag.



Optional convenient Carrying Case for safe and easy transport and storage. Made of durable polyester. (CS150)

Finish

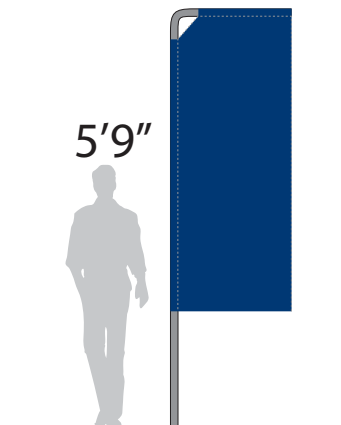
- Single-reverse: bottom and right side hemmed, left and top side with pole sleeve made of printed flag material, top pole sleeve sewn closed on right side
- Double-sided: two prints sewn together with blocking inner liner to achieve a double-sided positive flag, bottom and right side hemmed on inside (pillow case style), left and top side with pole sleeve made of printed flag material, top pole sleeve sewn closed on right side

Steps

- Step 1 - CS200 Pole Set
Includes 1 thorn, 1 angled pole, 2 straight poles with springs, and Economy Bag
- Step 2 - Carrying Case upgrade
Option1: No Carrying Case (Economy Bag comes standard with the Pole Set)
Option2: Durable polyester Carrying Case (CS150)
- Step 3 - Base Option
Recommended: Square Base 30x30 (BF523)
All bases below can be combined with the Pole Set

Universal Light

Shine some light on your display with this flexible Universal Light. The light includes a carrying case and a single clamp making it easy to install. The Universal Light works great when displaying a Q-Frame® CS200 in low lit areas such as galleries, cafes, and restaurants.





Q-Frame[®] Bases

Ground Bases

		
<p>Ground Sleeve Bearing - BF500 Steel stake, incl. bearing Est. Weight: 3lbs Options: Sand/Snow Extension</p>	<p>Ground Sleeve no Bearing - BF501 Steel stake Est. Weight: 3lbs Options: Sand/Snow Extension</p>	<p>Auger Sleeve - BF606 Plastic auger, incl. bearing and collapsible handles Est. Weight: 2lbs</p>



Cross Bases

	
<p>Product: Cross Base - BF510 Steel, collapsible, incl. bearing, 28in x 28in Est. Weight: 7lbs Options: Weight Bag or L Stake</p>	<p>Economy Cross Base - BF511+BF521 (thorn) Steel, collapsible, 28in x 28in Est. Weight: 5.7lbs Options: Weight Bag or L Stake</p>




Square Bases

			
<p>Square Base 18x30 - BF520+BF521 (thorn) Steel flat plate, silver, 7in x 12in Est. Weight: 6lbs Options: Add 2nd base (for extra weight), Weight Bag, or L Stake</p>	<p>Square Base 30x30 - BF523+BF521 (thorn) Steel flat plate, silver, incl. Carrying Case, 12in x 12in Est. Weight: 10lbs Options: Weight Bag or L Stake</p>	<p>Square Base 40x40 - BF524+BF521 (thorn) or BF524+BF525 (Screw on Base 90°) Steel flat plate, silver, 16in x 16in Est. Weight: 20lbs Options: Weight Bag or L Stake</p>	<p>Square Base 55x55 - TP154+BF525 (Screw on Base 90°) or TP154+TP156 (M16 Screw) +BF531 (Connector) Steel flat plate, silver, incl. cut out handle, 21in x 21in Est. Weight: 40lbs Options: Weight Bag or L Stake</p>

Other Bases

				
<p>Car Base - BF530+BF531 (Connector) Aluminum, needs additional weight Est. Weight: 11lbs (incl. 3lbs Connector) Options: Weight Bag</p>	<p>Economy Car Base - TP172+BF531 (Connector) Steel, needs additional weight Est. Weight: 6.5lbs (incl. 3lbs Connector) Options: Weight Bag</p>	<p>Plastic Base - BF602 Plastic, fill with water or sand Est. Weight: 52lbs (water), 66lbs (sand)</p>	<p>Screw on Base 30° - BF526 Steel, incl. universal screw set Est. Weight: 1lb</p>	<p>Screw on Base 90° - BF525 Steel, incl. bearing, incl. screws to mount on Square Bases Est. Weight: 1.7lbs Options: Can be floor mounted or used with Square Base 40x40 or Square Base 55x55</p>

Accessories

		
<p>Weight Bag - BF601 Plastic, fill with water Est. Weight: 26.5lbs (filled) Use: Extra weight for bases</p>	<p>L Stake - BF600 Steel Est. Weight: 0.4lbs Use: Holds bases in ground</p>	<p>Sand/Snow Extension - BF502 Steel stake Est. Weight: 2lbs Use: Extend Ground Sleeve Bearing or Ground Sleeve no Bearing</p>

	Bowflag® S	Bowflag® M	Bowflag® L	Bowflag® XL	Q-Frame® CS100	Q-Frame® CS200	Outdoor (sand or soil)	Outdoor (concrete or asphalt)	Indoor	Special Use
Ground Sleeve Bearing (BF500)	***	***	***	***	***°	***°	***	-	-	Fence, etc.
Ground Sleeve no Bearing (BF501)	***	***	***	***	***°	***°	***	-	-	Fence, etc.
Auger Sleeve (BF606)	***	***	***	***	***°	***°	***	-	-	-
Cross Base (BF510)	***	***	***	***	***°	***°	***	***	***	-
Economy Cross Base (BF511)	***	***	***	***	***°	***°	***	***	***	-
Square Base 18x30 (BF520)	***	**	-	-	**°°	**°°	**	***	***	Pallets/Shelf, etc.
Square Base 30x30 (BF523)	***	***	**	*	***°°	***°°	**	***	***	-
Square Base 40x40 (BF524)	**	***	***	**	**°°	**°°	**	***	***	-
Square Base 55x55 (TP154)	*	**	***	***	**°°	**°°	**	***	***	-
Car Base (BF530)	***	***	***	***	***°	***°	***	***	***	Pallets/Shelf, etc.
Economy Car Base (TP172)	***	***	***	***	***°	***°	***	***	***	Pallets/Shelf, etc.
Plastic Base (BF602)	***	***	-	-	***	***	**	**	***	-
Screw on Base 30° (BF526)	***	***	***	***	***°	***°	-	***	***	Walls, etc.
Screw on Base 90° (BF525)	***	***	***	***	***°	***°	-	***	***	-

* Good
 ** Better
 *** Best
 ° Requires Connector (CS151)
 °° Thorn comes standard with Pole Set