

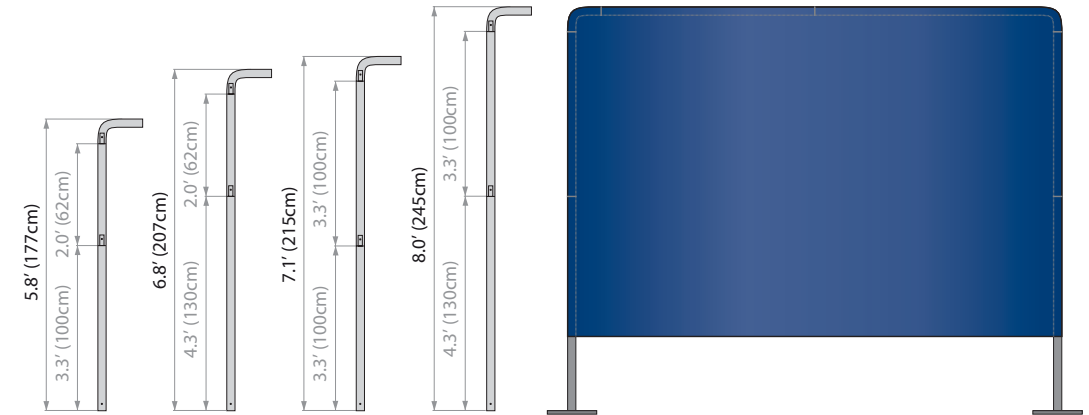
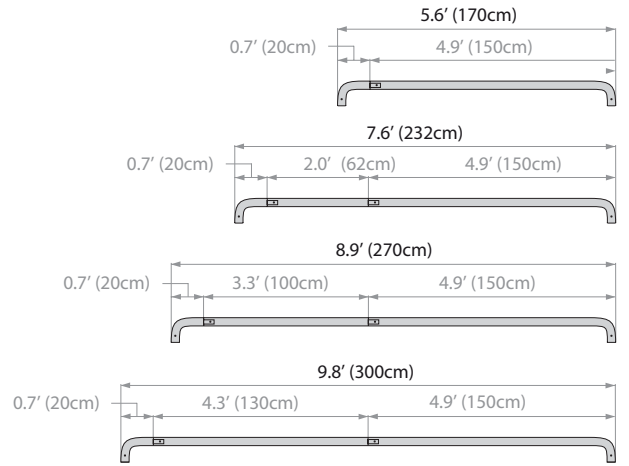
Q-Frame® CS100

R6.110507

This flexible and reasonably priced indoor advertising system is perfectly suited for marketing activities, in-store displays, sales promotions and trade shows. It easily and expressively conveys your advertising message. Tube sections are easily assembled and covered with the printed banner. The Q-Frame® CS100 is lightweight and ready to use within minutes.

Advantages at a glance:

- Can be used as a background display for trade shows
- Various sizes are available
- Double-sided positive reading of advertising messages possible
- Fast replaceable advertisements
- Quick and easy assembly without tools
- Easy transport and storage
- Optional Carrying Case
- Stable
- Different base options available



All widths and heights can be used in any combination. There are 16 different sizes available to fit all advertising needs.

The chart below shows all hardware widths and heights. Simply match the width across the top to the height down the side to find your print size.

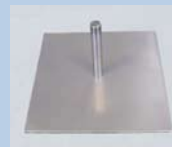
| | | WIDTH | | | |
|--------|------------------------------|------------------------------|------------------------------|------------------------------|------------------------------|
| | | 5.6' (170cm) | 7.6' (232cm) | 8.9' (270cm) | 9.8' (300cm) |
| HEIGHT | 5.8' (177cm) | Single-reverse | Single-reverse | Single-reverse | Single-reverse |
| | | 5.6' x 4.6' 170cm x 140cm | 7.6' x 4.6' 232cm x 140cm | 8.9' x 4.6' 270cm x 140cm | 9.8' x 4.6' 300cm x 140cm |
| | 6.8' (207cm) | Double-sided | Double-sided | Double-sided | Double-sided |
| | | 5.6' x 4.9' 170cm x 150cm | 7.6' x 4.9' 232cm x 150cm | 8.9' x 4.9' 270cm x 150cm | 9.8' x 4.9' 300cm x 150cm |
| | 7.1' (215cm) | Single-reverse | Single-reverse | Single-reverse | Single-reverse |
| | | 5.6' x 4.6' 170cm x 140cm | 7.6' x 4.6' 232cm x 140cm | 8.9' x 4.6' 270cm x 140cm | 9.8' x 4.6' 300cm x 140cm |
| | 8.0' (245cm) | Double-sided | Double-sided | Double-sided | Double-sided |
| | | 5.6' x 4.9' 170cm x 150cm | 7.6' x 4.9' 232cm x 150cm | 8.9' x 4.9' 270cm x 150cm | 9.8' x 4.9' 300cm x 150cm |
| | Single-reverse | Single-reverse | Single-reverse | Single-reverse | |
| | 5.6' x 6.2' 170cm x 190cm | 7.6' x 6.2' 232cm x 190cm | 8.9' x 6.2' 270cm x 190cm | 9.8' x 6.2' 300cm x 190cm | |
| | | Double-sided | Double-sided | Double-sided | Double-sided |
| | | 5.6' x 6.6' 170cm x 200cm | 7.6' x 6.6' 232cm x 200cm | 8.9' x 6.6' 270cm x 200cm | 9.8' x 6.6' 300cm x 200cm |



Universal Light

Shine some light on your display with this flexible Universal Light. The light includes a Carrying Case and a single clamp making it easy to install. The Universal Light works great when displaying a Q-Frame® CS100 in low lit areas such as galleries, cafes, and restaurants.

Recommended Base



Square Base 30x30
Steel flat plate,
silver, Carrying Case
included.
Weight: 10 lbs



Pole Set



Pole Set with Economy Bag
(Square Base 30x30 also shown)



Optional convenient Carrying Case for safe and easy transport and storage. Made of durable polyester. (CS150)

Finish

- Single-reverse: top and both sides with pole sleeve made out of printed flag material, bottom side cut
- Double-sided: two prints sewn together with blocking inner liner to achieve a double-sided positive flag, top and both sides hemmed on inside (pillow case style), bottom side cut

Recommended Fabric

- Dekoflag H (approx. 3.25 oz/yd²)
- Multisol™ L (approx. 3.25 oz/yd²)

Steps



- Step 1 - CS100 Pole Set
Choose the size of your CS100. The Pole Set includes poles and Economy Bag.
- Step 2 - Carrying Case upgrade
Option1: No Carrying Case (Economy Bag comes standard with the Pole Set)
Option2: Durable polyester Carrying Case (CS150)
- Step 3 - Base Option
Recommended: Square Base 30x30 (BF523). Most bases can be combined with the Pole Set.

Q-Frame[®] Bases

Ground Bases

| | | |
|--|--|--|
|  |  |  |
| <p>Ground Sleeve Bearing - BF500 Steel stake, incl. bearing Est. Weight: 3lbs Options: Sand/Snow Extension</p> | <p>Ground Sleeve no Bearing - BF501 Steel stake Est. Weight: 3lbs Options: Sand/Snow Extension</p> | <p>Auger Sleeve - BF606 Plastic auger, incl. bearing and collapsible handles Est. Weight: 2lbs</p> |



Cross Bases

| | |
|--|--|
|  |  |
| <p>Product: Cross Base - BF510 Steel, collapsible, incl. bearing, 28in x 28in Est. Weight: 7lbs Options: Weight Bag or L Stake</p> | <p>Economy Cross Base - BF511+BF521 (thorn) Steel, collapsible, 28in x 28in Est. Weight: 5.7lbs Options: Weight Bag or L Stake</p> |




Square Bases

| | | | |
|--|---|---|--|
|  |  |  |  |
| <p>Square Base 18x30 - BF520+BF521 (thorn) Steel flat plate, silver, 7in x 12in Est. Weight: 6lbs Options: Add 2nd base (for extra weight), Weight Bag, or L Stake</p> | <p>Square Base 30x30 - BF523+BF521 (thorn) Steel flat plate, silver, incl. Carrying Case, 12in x 12in Est. Weight: 10lbs Options: Weight Bag or L Stake</p> | <p>Square Base 40x40 - BF524+BF521 (thorn) or BF524+BF525 (Screw on Base 90°) Steel flat plate, silver, 16in x 16in Est. Weight: 20lbs Options: Weight Bag or L Stake</p> | <p>Square Base 55x55 - TP154+BF525 (Screw on Base 90°) or TP154+TP156 (M16 Screw) +BF531 (Connector) Steel flat plate, silver, incl. cut out handle, 21in x 21in Est. Weight: 40lbs Options: Weight Bag or L Stake</p> |

Other Bases

| | | | | |
|---|---|---|--|--|
|  |  |  |  |  |
| <p>Car Base - BF530+BF531 (Connector) Aluminum, needs additional weight Est. Weight: 11lbs (incl. 3lbs Connector) Options: Weight Bag</p> | <p>Economy Car Base - TP172+BF531 (Connector) Steel, needs additional weight Est. Weight: 6.5lbs (incl. 3lbs Connector) Options: Weight Bag</p> | <p>Plastic Base - BF602 Plastic, fill with water or sand Est. Weight: 52lbs (water), 66lbs (sand)</p> | <p>Screw on Base 30° - BF526 Steel, incl. universal screw set Est. Weight: 1lb</p> | <p>Screw on Base 90° - BF525 Steel, incl. bearing, incl. screws to mount on Square Bases Est. Weight: 1.7lbs Options: Can be floor mounted or used with Square Base 40x40 or Square Base 55x55</p> |

Accessories

| | | |
|--|---|--|
|  |  |  |
| <p>Weight Bag - BF601 Plastic, fill with water Est. Weight: 26.5lbs (filled) Use: Extra weight for bases</p> | <p>L Stake - BF600 Steel Est. Weight: 0.4lbs Use: Holds bases in ground</p> | <p>Sand/Snow Extension - BF502 Steel stake Est. Weight: 2lbs Use: Extend Ground Sleeve Bearing or Ground Sleeve no Bearing</p> |

| | Bowflag® S | Bowflag® M | Bowflag® L | Bowflag® XL | Q-Frame® CS100 | Q-Frame® CS200 | Outdoor (sand or soil) | Outdoor (concrete or asphalt) | Indoor | Special Use |
|----------------------------------|------------|------------|------------|-------------|----------------|----------------|------------------------|-------------------------------|--------|---------------------|
| Ground Sleeve Bearing (BF500) | *** | *** | *** | *** | ***° | ***° | *** | - | - | Fence, etc. |
| Ground Sleeve no Bearing (BF501) | *** | *** | *** | *** | ***° | ***° | *** | - | - | Fence, etc. |
| Auger Sleeve (BF606) | *** | *** | *** | *** | ***° | ***° | *** | - | - | - |
| Cross Base (BF510) | *** | *** | *** | *** | ***° | ***° | *** | *** | *** | - |
| Economy Cross Base (BF511) | *** | *** | *** | *** | ***° | ***° | *** | *** | *** | - |
| Square Base 18x30 (BF520) | *** | ** | - | - | **°° | **°° | ** | *** | *** | Pallets/Shelf, etc. |
| Square Base 30x30 (BF523) | *** | *** | ** | * | ***°° | ***°° | ** | *** | *** | - |
| Square Base 40x40 (BF524) | ** | *** | *** | ** | **°° | **°° | ** | *** | *** | - |
| Square Base 55x55 (TP154) | * | ** | *** | *** | **°° | **°° | ** | *** | *** | - |
| Car Base (BF530) | *** | *** | *** | *** | ***° | ***° | *** | *** | *** | Pallets/Shelf, etc. |
| Economy Car Base (TP172) | *** | *** | *** | *** | ***° | ***° | *** | *** | *** | Pallets/Shelf, etc. |
| Plastic Base (BF602) | *** | *** | - | - | *** | *** | ** | ** | *** | - |
| Screw on Base 30° (BF526) | *** | *** | *** | *** | ***° | ***° | - | *** | *** | Walls, etc. |
| Screw on Base 90° (BF525) | *** | *** | *** | *** | ***° | ***° | - | *** | *** | - |

* Good
 ** Better
 *** Best
 ° Requires Connector (CS151)
 °° Thorn comes standard with Pole Set